

## Intersect Recessed Windows for Timber Cladding V8, Vertical Shiplap Weatherboard - 45mm Cavity on Rigid Underlay

Drawings	Sheet Name	Date	Revision
<b>Typical Details</b>			
RK-RU-00	INDEX Standard Profiles, Recessed Windows	14.10.2020	L
RK-RU-01	RK FIXINGS	14.10.2020	A
RK-RU-02	PROFILES	14.10.2020	K
RK-RU-03	PROFILES	14.10.2020	D
RK-RU-04	MOULDING PROFILES	14.10.2020	A
<b>Cutting and Assembly</b>			
RK-RU-05	HEAD Flashing LEFT HAND Stopend	14.10.2020	K
RK-RU-06	HEAD Flashing RIGHT HAND Stopend	14.10.2020	K
RK-RU-07	SILL Flashing Cutting Dimensions	14.10.2020	K
RK-RU-08	SILL Flashing LEFT HAND Stopend	14.10.2020	K
RK-RU-09	SILL Flashing RIGHT HAND Stopend	14.10.2020	K
RK-RU-10	DOOR SILL Flashing Cutting Dimensions	09.09.2022	A
RK-RU-11	DOOR SILL Flashing Stopends	09.09.2022	A
RK-RU-12	RKFL-31 Mitre Section - Right Hand Cutting Dimensions	14.10.2020	D
RK-RU-13	RKFL-31 Mitre Section - Left Hand Cutting Dimensions	14.10.2020	D
RK-RU-14	RK55 HEAD Section Cutting Dimensions	14.10.2020	K
RK-RU-15	RK55 SILL Section Cutting Dimensions	14.10.2020	K
RK-RU-16	RKFL-22 Mitre Section - Right Hand Cutting Dimensions	14.10.2020	A
RK-RU-17	RKFL-22 Mitre Section - Left Hand Cutting Dimensions	14.10.2020	A
RK-RU-18	RK55 HEAD Section Cutting Dimensions for RK42	14.10.2020	K
RK-RU-19	RK55 SILL Section Cutting Dimensions for RK42	14.10.2020	K
<b>INTERSET Details</b>			
RK-RU-20	Window Head Detail	14.10.2020	M
RK-RU-21	Window Sill Detail	14.10.2020	L
RK-RU-22	Door Sill Full Height Joinery Detail	09.09.2022	A
RK-RU-23	Window Jamb Right Hand Aluminium Trim Detail	14.10.2020	D
RK-RU-24	Window Jamb Left Hand Aluminium Trim Detail	14.10.2020	D
RK-RU-25	Alternative Jamb Detail RH RK42 Vertical	14.10.2020	L
RK-RU-26	Alternative Jamb Detail RH RK42 Horizontal	14.10.2020	L
<b>Appendix</b>			
RK-RU-30	Appendix - Sika Method Statement	14.10.2020	C

1. Scope as per Clauses 1.0 and 9.4 E2/AS1
2. Compatibility of materials as per Tables 20-22 E2/AS1
3. The flashing system relies upon the joinery meeting the requirements of NZS 4211 and for the relevant building wind pressures
4. INTERSET flashings are designed exclusively for use with the Rosenfeld Kidson Cedarscreen Vertical 45mm system
5. Windows to have a 10mm perimeter clearance for application of a continuous air seal
6. Non-exposed flashings powdercoated in Duralloy. Exposed flashings powdercoated in Duratec
7. Cavity Batten System in-line with Cedarscreen 45mm Vertical System



www.rosenfeldkidson.co.nz  
www.cedarscreen.co.nz

Postal Address: P O Box 621,  
Shortland Street, Auckland 1140

Auckland Branch:  
T: +64 9 573 0503  
F: +64 9 573 0504  
513 Mount Wellington Highway  
Mount Wellington, Auckland 1060

Christchurch Branch:  
T: +64 3 349 3316  
F: +64 3 349 3317  
15 Edmonton Road  
Hornby, Christchurch 8042

Title **INDEX Standard Profiles,  
Recessed Windows**

Drawing

**RK-RU-00**

Scale @ A4

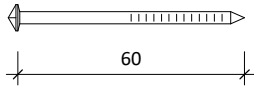
Date 14.10.2020

Options:

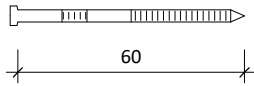
- Silicon bronze annular grooved
- Stainless steel 316 grade annular grooved
- All fixings to be annular groove

-Flashings as fixed with the 50x3.5mm Assy or RKS2 SS screws at 300mm centres

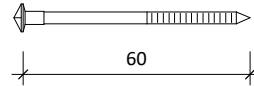
**RK Cladding Board to CS-H 45**



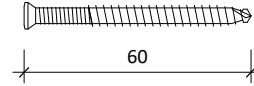
Direct fixed 60 x 3.15mm



Cavity fixed 60 x 3.15mm Stainless steel nail  
Jolthead nail for paint finish weatherboards.

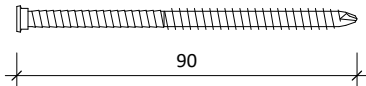


Cedarscreen Plug Nail 60 x 3.15mm



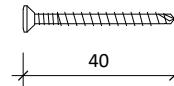
- RKS2 60mm 12g Stainless steel screws  
- ASSY 60mm 12g Stainless steel screws

**RK Structural Fixings**



- RKS2 90mm 12g Stainless steel screws  
- ASSY 90mm 12g Stainless steel screws

**RK Flashing Fixing**



ASSY or RKS2 (Black or Vintage Bronze)  
40x3.5mm Stainless steel 316 screw with drill tip

1. Scope as per Clauses 1.0 and 9.4 E2/AS1
2. Compatibility of materials as per Tables 20-22 E2/AS1
3. The flashing system relies upon the joinery meeting the requirements of NZS 4211 and for the relevant building wind pressures
4. INTERSET flashings are designed exclusively for use with the Rosenfeld Kidson Cedarscreen Vertical 45mm system
5. Windows to have a 10mm perimeter clearance for application of a continuous air seal
6. Non-exposed flashings powdercoated in Duralloy. Exposed flashings powdercoated in Duratec
7. Cavity Batten System in-line with Cedarscreen 45mm Vertical System



www.rosenfeldkidson.co.nz  
www.cedarscreen.co.nz

Postal Address: P O Box 621,  
Shortland Street, Auckland 1140

Auckland Branch:  
T: +64 9 573 0503  
F: +64 9 573 0504  
513 Mount Wellington Highway  
Mount Wellington, Auckland 1060

Christchurch Branch:  
T: +64 3 349 3316  
F: +64 3 349 3317  
15 Edmonton Road  
Hornby, Christchurch 8042

Title **RK FIXINGS**

Drawing

**RK-RU-01**

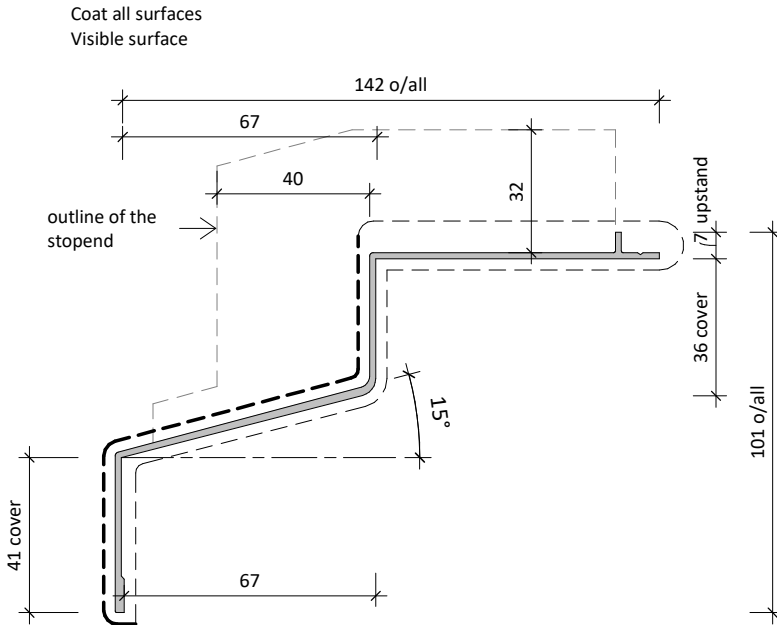
Scale 1 : 2 @ A4

Date 14.10.2020

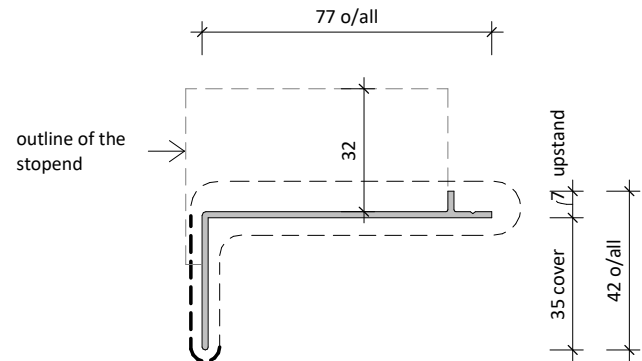
--- Coat all surfaces  
 - - - Visible surface



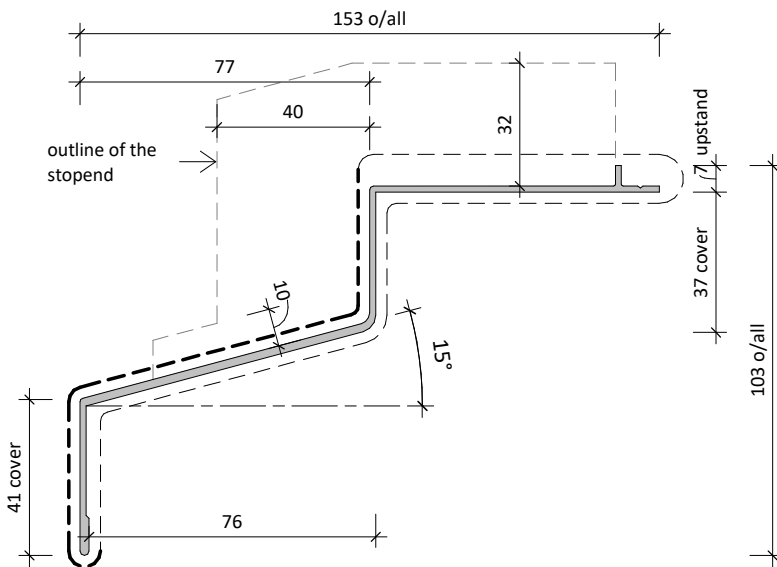
**CODEMARK**<sup>™</sup>  
 CM70082



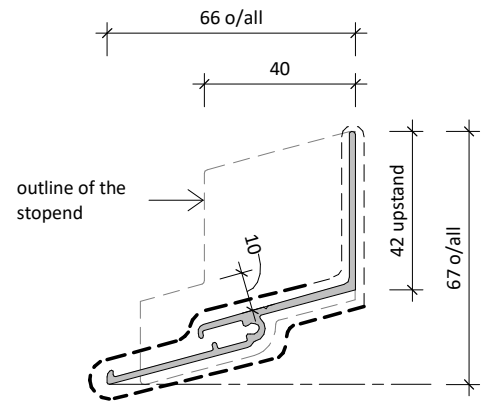
**RKFL-19 SILL FLASHING PROFILE**  
 Aluminium profile 2.4mm - 1.6mm thick



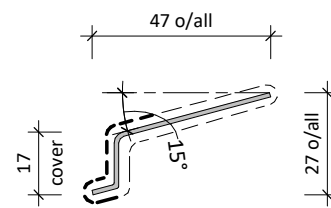
**RKFL-23 DOOR SILL FLASHING PROFILE**  
 Aluminium profile 1.6mm thick



**RKFL-25 SILL FLASHING PROFILE**  
 Aluminium profile 2.4mm - 1.6mm thick



**RKFL-20 HEAD FLASHING PROFILE**  
 Aluminium profile 2.2mm - 1.6mm thick



**RKFL-12 HEAD FLASHING EXTENSION PROFILE**  
 Aluminium profile 1.2mm thick

1. Scope as per Clauses 1.0 and 9.4 E2/AS1
2. Compatibility of materials as per Tables 20-22 E2/AS1
3. The flashing system relies upon the joinery meeting the requirements of NZS 4211 and for the relevant building wind pressures
4. INTERSET flashings are designed exclusively for use with the Rosenfeld Kidson Cedarscreen Vertical 45mm system
5. Windows to have a 10mm perimeter clearance for application of a continuous air seal
6. Non-exposed flashings powdercoated in Duralloy. Exposed flashings powdercoated in Duratec
7. Cavity Batten System in-line with Cedarscreen 45mm Vertical System



www.rosenfeldkidson.co.nz  
 www.cedarscreen.co.nz

Postal Address: P O Box 621,  
 Shortland Street, Auckland 1140

Auckland Branch:  
 T: +64 9 573 0503  
 F: +64 9 573 0504  
 513 Mount Wellington Highway  
 Mount Wellington, Auckland 1060

Christchurch Branch:  
 T: +64 3 349 3316  
 F: +64 3 349 3317  
 15 Edmonton Road  
 Hornby, Christchurch 8042

Title **PROFILES**

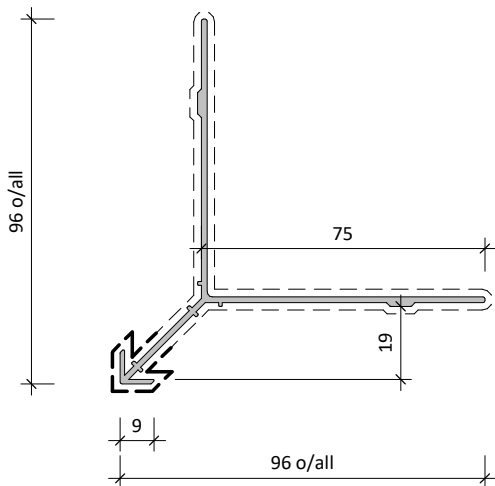
Drawing

**RK-RU-02**

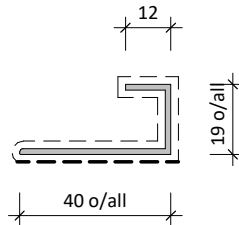
Scale 1 : 2 @ A4

Date 14.10.2020

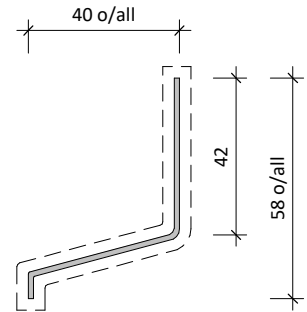
--- Coat all surfaces  
 - - - Visible surface



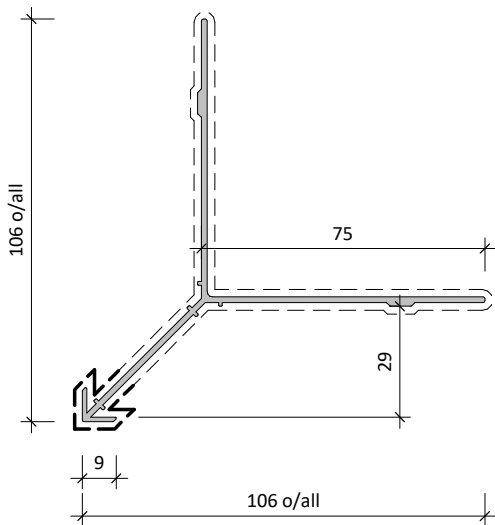
**RKFL-31 JAMB FLASHING**  
 Aluminium profile 1.5mm thick



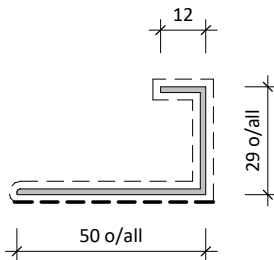
**RKFL-32 TRIM FLASHING PROFILE**  
 Aluminium profile 1.5mm thick



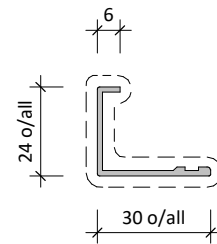
**RKFL-14 CAVITY CLOSER FLASHING PROFILE**  
 Aluminium profile 1.4mm thick



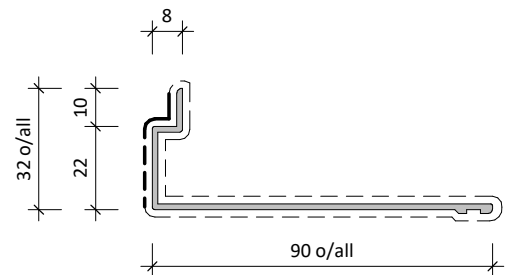
**RKFL-36 JAMB FLASHING**  
 Aluminium profile 1.5mm thick



**RKFL-37 TRIM FLASHING PROFILE**  
 Aluminium profile 1.5mm thick



**RKFL-21 JAMB FLASHING PROFILE**  
 Aluminium profile 1.5mm thick



**RKFL-22 JAMB FLASHING PROFILE**  
 Aluminium profile 1.5mm thick

1. Scope as per Clauses 1.0 and 9.4 E2/AS1
2. Compatibility of materials as per Tables 20-22 E2/AS1
3. The flashing system relies upon the joinery meeting the requirements of NZS 4211 and for the relevant building wind pressures
4. INTERSET flashings are designed exclusively for use with the Rosenfeld Kidson Cedarscreen Vertical 45mm system
5. Windows to have a 10mm perimeter clearance for application of a continuous air seal
6. Non-exposed flashings powdercoated in Duralloy. Exposed flashings powdercoated in Duratec
7. Cavity Batten System in-line with Cedarscreen 45mm Vertical System



www.rosenfeldkidson.co.nz  
 www.cedarscreen.co.nz

Postal Address: P O Box 621,  
 Shortland Street, Auckland 1140

Auckland Branch:  
 T: +64 9 573 0503  
 F: +64 9 573 0504  
 513 Mount Wellington Highway  
 Mount Wellington, Auckland 1060

Christchurch Branch:  
 T: +64 3 349 3316  
 F: +64 3 349 3317  
 15 Edmonton Road  
 Hornby, Christchurch 8042

Title **PROFILES**

Drawing

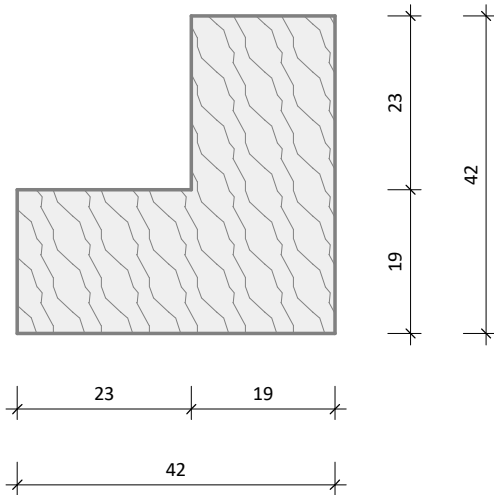
**RK-RU-03**

Scale 1 : 2 @ A4

Date 14.10.2020

Options:

- DF (Dressed face)
- BSF (Band sawn face)



**RK42 External timber moulding**

1. Scope as per Clauses 1.0 and 9.4 E2/AS1
2. Compatibility of materials as per Tables 20-22 E2/AS1
3. The flashing system relies upon the joinery meeting the requirements of NZS 4211 and for the relevant building wind pressures
4. INTERSET flashings are designed exclusively for use with the Rosenfeld Kidson Cedarscreen Vertical 45mm system
5. Windows to have a 10mm perimeter clearance for application of a continuous air seal
6. Non-exposed flashings powdercoated in Duralloy. Exposed flashings powdercoated in Duratec
7. Cavity Batten System in-line with Cedarscreen 45mm Vertical System



[www.rosenfeldkidson.co.nz](http://www.rosenfeldkidson.co.nz)  
[www.cedarscreen.co.nz](http://www.cedarscreen.co.nz)

Postal Address: P O Box 621,  
Shortland Street, Auckland 1140

Auckland Branch:  
T: +64 9 573 0503  
F: +64 9 573 0504  
513 Mount Wellington Highway  
Mount Wellington, Auckland 1060

Christchurch Branch:  
T: +64 3 349 3316  
F: +64 3 349 3317  
15 Edmonton Road  
Hornby, Christchurch 8042

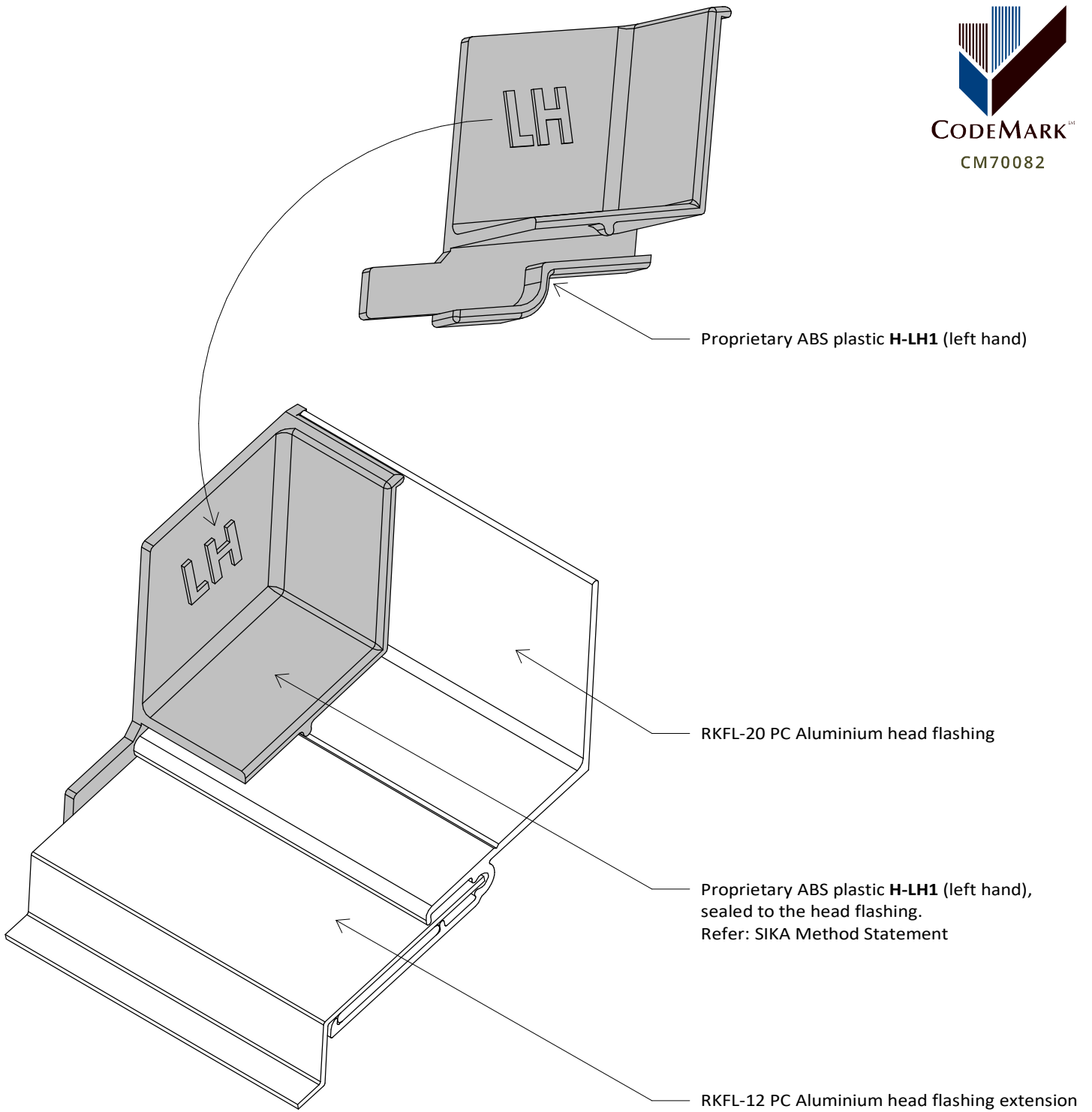
Title **MOULDING PROFILES**

Drawing

**RK-RU-04**

Scale 1 : 1 @ A4

Date 14.10.2020



**HEAD FLASHING ASSEMBLED VIEW (left hand)**

1. Scope as per Clauses 1.0 and 9.4 E2/AS1
2. Compatibility of materials as per Tables 20-22 E2/AS1
3. The flashing system relies upon the joinery meeting the requirements of NZS 4211 and for the relevant building wind pressures
4. INTERSET flashings are designed exclusively for use with the Rosenfeld Kidson Cedarscreen Vertical 45mm system
5. Windows to have a 10mm perimeter clearance for application of a continuous air seal
6. Non-exposed flashings powdercoated in Duralloy. Exposed flashings powdercoated in Duratec
7. Cavity Batten System in-line with Cedarscreen 45mm Vertical System



www.rosenfeldkidson.co.nz  
www.cedarscreen.co.nz

Postal Address: P O Box 621,  
Shortland Street, Auckland 1140

Auckland Branch:  
T: +64 9 573 0503  
F: +64 9 573 0504  
513 Mount Wellington Highway  
Mount Wellington, Auckland 1060

Christchurch Branch:  
T: +64 3 349 3316  
F: +64 3 349 3317  
15 Edmonton Road  
Hornby, Christchurch 8042

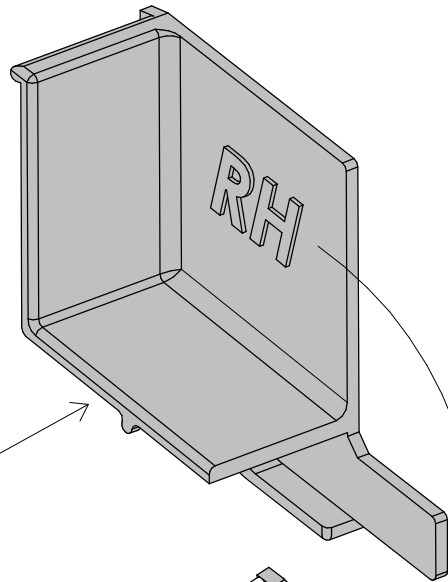
Title **HEAD Flashing LEFT HAND  
Stopend**

Drawing

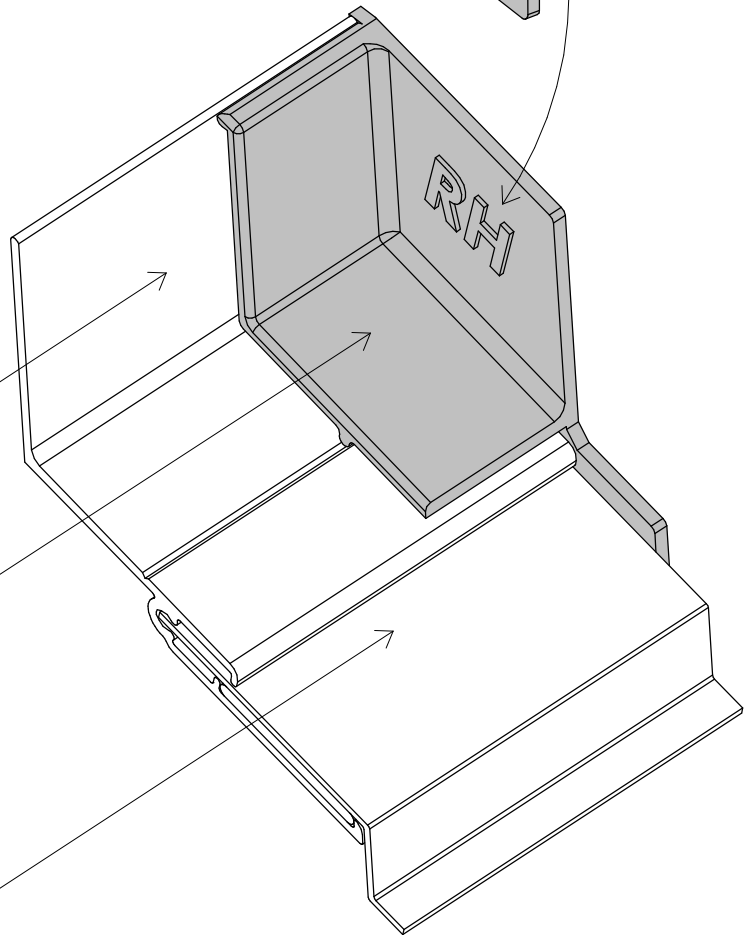
**RK-RU-05**

Scale @ A4

Date 14.10.2020



Proprietary ABS plastic **H-RH1** (right hand)



RKFL-20 PC Aluminium head flashing

Proprietary ABS plastic **H-RH1** (right hand),  
sealed to the head flashing.  
Refer: SIKA Method Statement

RKFL-12 PC Aluminium head flashing extension

**HEAD FLASHING ASSEMBLED VIEW (right hand)**

1. Scope as per Clauses 1.0 and 9.4 E2/AS1
2. Compatibility of materials as per Tables 20-22 E2/AS1
3. The flashing system relies upon the joinery meeting the requirements of NZS 4211 and for the relevant building wind pressures
4. INTERSET flashings are designed exclusively for use with the Rosenfeld Kidson Cedarscreen Vertical 45mm system
5. Windows to have a 10mm perimeter clearance for application of a continuous air seal
6. Non-exposed flashings powdercoated in Duralloy. Exposed flashings powdercoated in Duratec
7. Cavity Batten System in-line with Cedarscreen 45mm Vertical System



www.rosenfeldkidson.co.nz  
www.cedarscreen.co.nz

Postal Address: P O Box 621,  
Shortland Street, Auckland 1140

Auckland Branch:  
T: +64 9 573 0503  
F: +64 9 573 0504  
513 Mount Wellington Highway  
Mount Wellington, Auckland 1060

Christchurch Branch:  
T: +64 3 349 3316  
F: +64 3 349 3317  
15 Edmonton Road  
Hornby, Christchurch 8042

Title **HEAD Flashing RIGHT HAND  
Stopend**

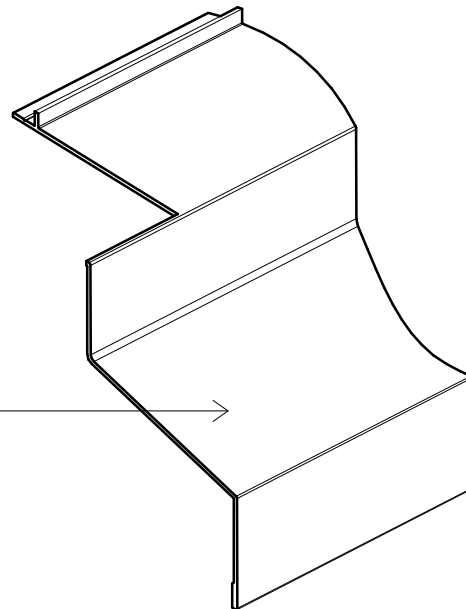
Drawing

**RK-RU-06**

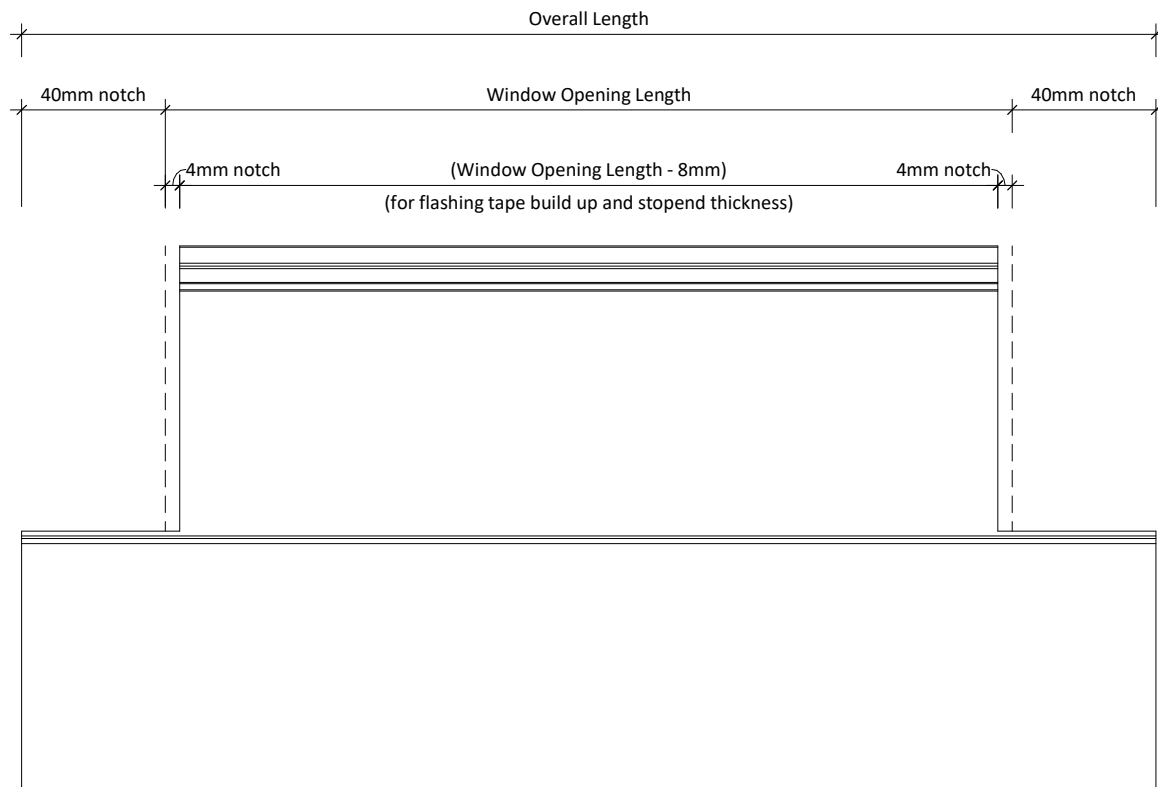
Scale @ A4

Date 14.10.2020

Note:  
 - Head and sill cutting dimensions to be parallel



RKFL-19 PC Aluminium sill flashing.  
 Screw fixed to the frame



1. Scope as per Clauses 1.0 and 9.4 E2/AS1
2. Compatibility of materials as per Tables 20-22 E2/AS1
3. The flashing system relies upon the joinery meeting the requirements of NZS 4211 and for the relevant building wind pressures
4. INTERSET flashings are designed exclusively for use with the Rosenfeld Kidson Cedarscreen Vertical 45mm system
5. Windows to have a 10mm perimeter clearance for application of a continuous air seal
6. Non-exposed flashings powdercoated in Duralloy. Exposed flashings powdercoated in Duratec
7. Cavity Batten System in-line with Cedarscreen 45mm Vertical System



www.rosenfeldkidson.co.nz  
 www.cedarscreen.co.nz

Postal Address: P O Box 621,  
 Shortland Street, Auckland 1140

Auckland Branch:  
 T: +64 9 573 0503  
 F: +64 9 573 0504  
 513 Mount Wellington Highway  
 Mount Wellington, Auckland 1060

Christchurch Branch:  
 T: +64 3 349 3316  
 F: +64 3 349 3317  
 15 Edmonton Road  
 Hornby, Christchurch 8042

Title **SILL Flashing Cutting  
 Dimensions**

Drawing

**RK-RU-07**

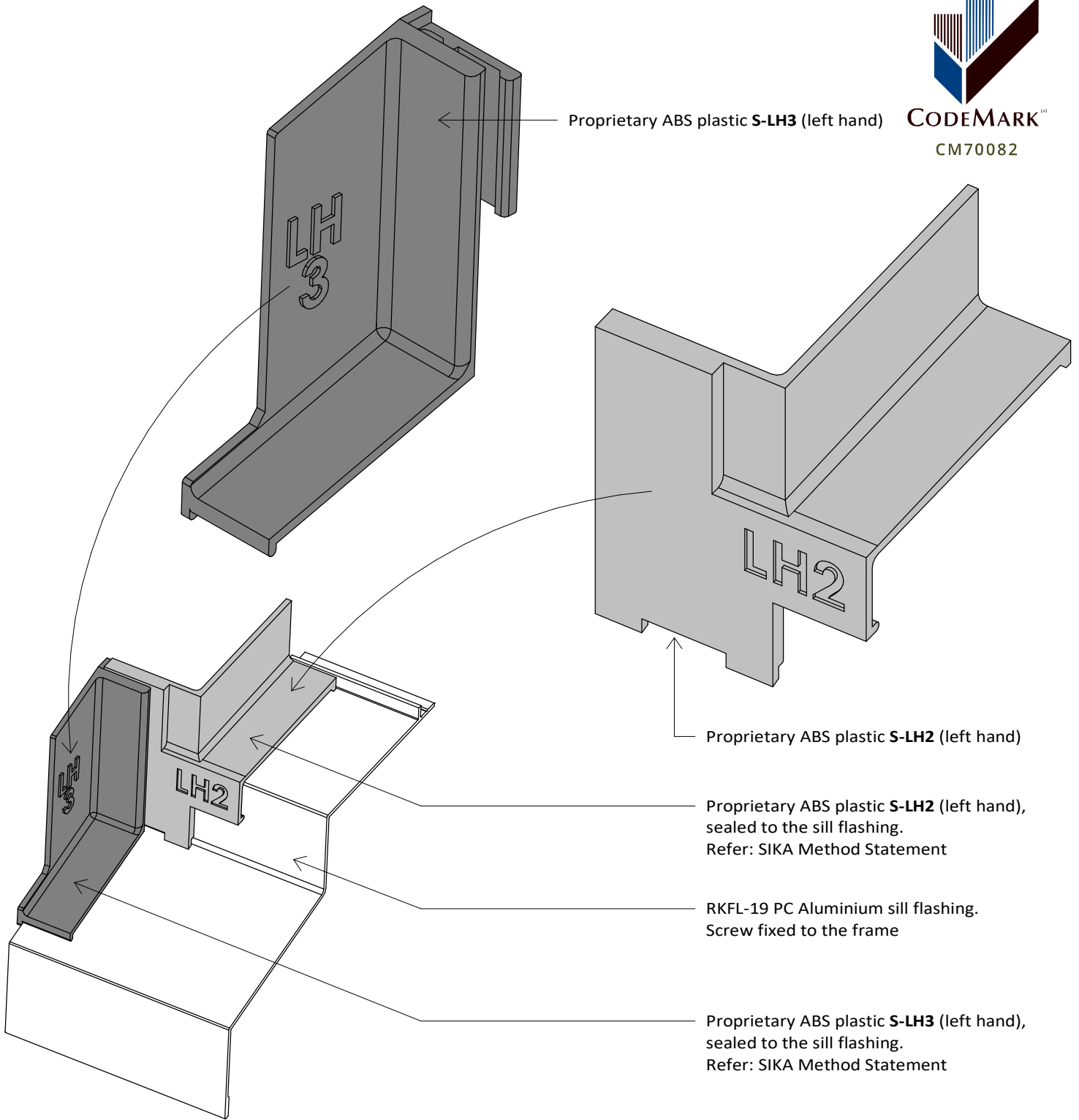
Scale **NTS @ A4**

Date **14.10.2020**





**CODEMARK<sup>™</sup>**  
CM70082



Proprietary ABS plastic **S-LH3** (left hand)

Proprietary ABS plastic **S-LH2** (left hand)

Proprietary ABS plastic **S-LH2** (left hand),  
sealed to the sill flashing.  
Refer: SIKA Method Statement

RKFL-19 PC Aluminium sill flashing.  
Screw fixed to the frame

Proprietary ABS plastic **S-LH3** (left hand),  
sealed to the sill flashing.  
Refer: SIKA Method Statement

**SILL FLASHING ASSEMBLED VIEW (left hand)**

1. Scope as per Clauses 1.0 and 9.4 E2/AS1
2. Compatibility of materials as per Tables 20-22 E2/AS1
3. The flashing meeting the requirements of NZS 4211 and for the relevant building wind pressures
4. INTERSET flashings are designed exclusively for use with the Rosenfeld Kidson Cedarscreen Vertical 45mm system
5. Windows to have a 10mm perimeter clearance for application of a continuous air seal
6. Non-exposed flashings powdercoated in Duralloy. Exposed flashings powdercoated in Duratec
7. Cavity Batten System in-line with Cedarscreen 45mm Vertical System



www.rosenfeldkidson.co.nz  
www.cedarscreen.co.nz

Postal Address: P O Box 621,  
Shortland Street, Auckland 1140

Auckland Branch:  
T: +64 9 573 0503  
F: +64 9 573 0504  
513 Mount Wellington Highway  
Mount Wellington, Auckland 1060

Christchurch Branch:  
T: +64 3 349 3316  
F: +64 3 349 3317  
15 Edmonton Road  
Hornby, Christchurch 8042

Title **SILL Flashing LEFT HAND**  
**Stopend**

Drawing

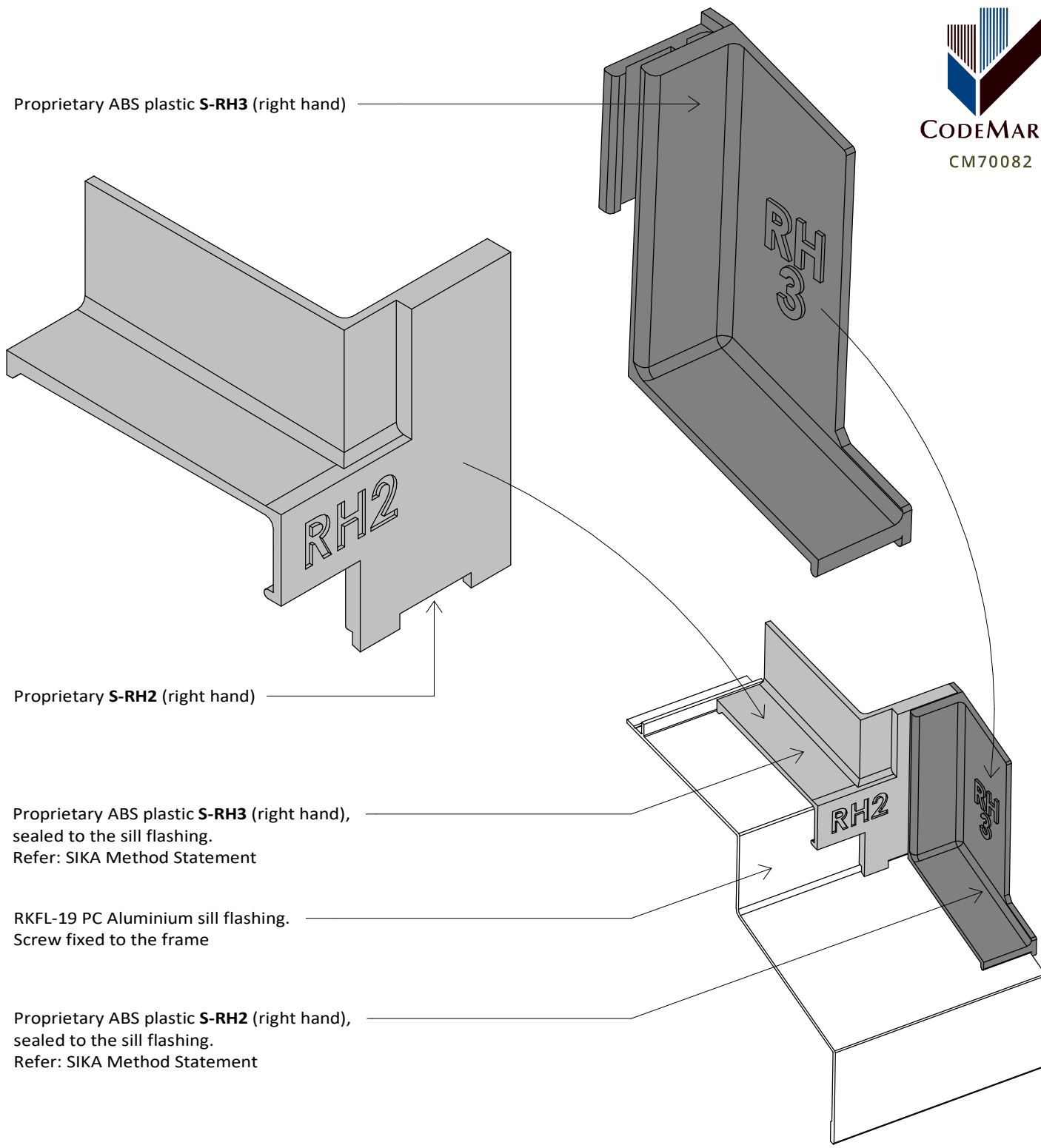
**RK-RU-08**

Scale @ A4

Date 14.10.2020



**CODEMARK™**  
CM70082



Proprietary ABS plastic **S-RH3** (right hand)

Proprietary **S-RH2** (right hand)

Proprietary ABS plastic **S-RH3** (right hand),  
sealed to the sill flashing.  
Refer: SIKA Method Statement

RKFL-19 PC Aluminium sill flashing.  
Screw fixed to the frame

Proprietary ABS plastic **S-RH2** (right hand),  
sealed to the sill flashing.  
Refer: SIKA Method Statement

### SILL FLASHING ASSEMBLED VIEW (right hand)

1. Scope as per Clauses 1.0 and 9.4 E2/AS1
2. Compatibility of materials as per Tables 20-22 E2/AS1
3. The flashing meeting the requirements of NZS 4211 and for the relevant building wind pressures
4. INTERSET flashings are designed exclusively for use with the Rosenfeld Kidson Cedarscreen Vertical 45mm system
5. Windows to have a 10mm perimeter clearance for application of a continuous air seal
6. Non-exposed flashings powdercoated in Duralloy. Exposed flashings powdercoated in Duratec
7. Cavity Batten System in-line with Cedarscreen 45mm Vertical System



www.rosenfeldkidson.co.nz  
www.cedarscreen.co.nz

Postal Address: P O Box 621,  
Shortland Street, Auckland 1140

Auckland Branch:  
T: +64 9 573 0503  
F: +64 9 573 0504  
513 Mount Wellington Highway  
Mount Wellington, Auckland 1060

Christchurch Branch:  
T: +64 3 349 3316  
F: +64 3 349 3317  
15 Edmonton Road  
Hornby, Christchurch 8042

Title **SILL Flashing RIGHT HAND  
Stopend**

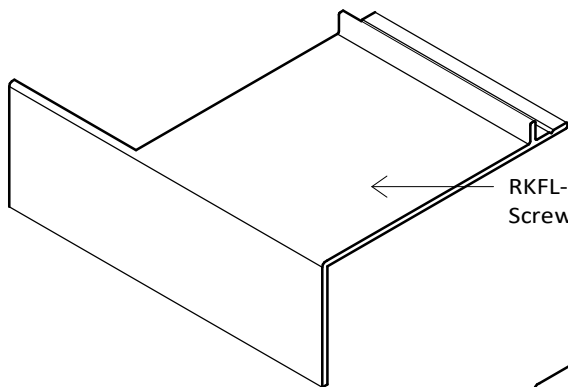
Drawing

**RK-RU-09**

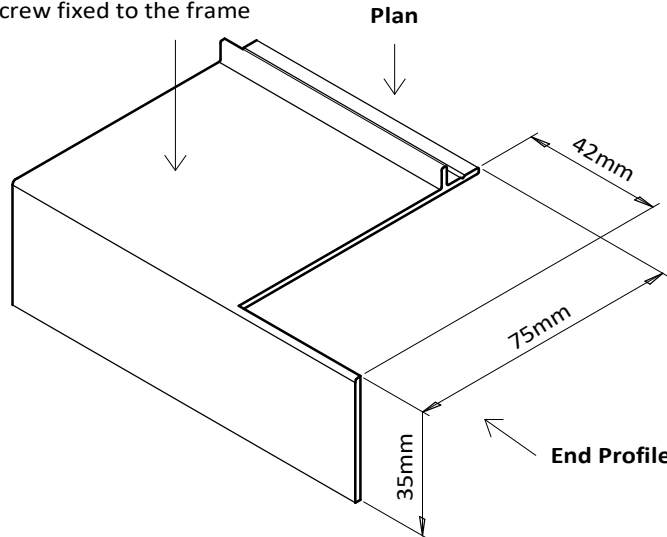
Scale @ A4

Date 14.10.2020

Note:  
 - Head and sill cutting dimensions to be parallel



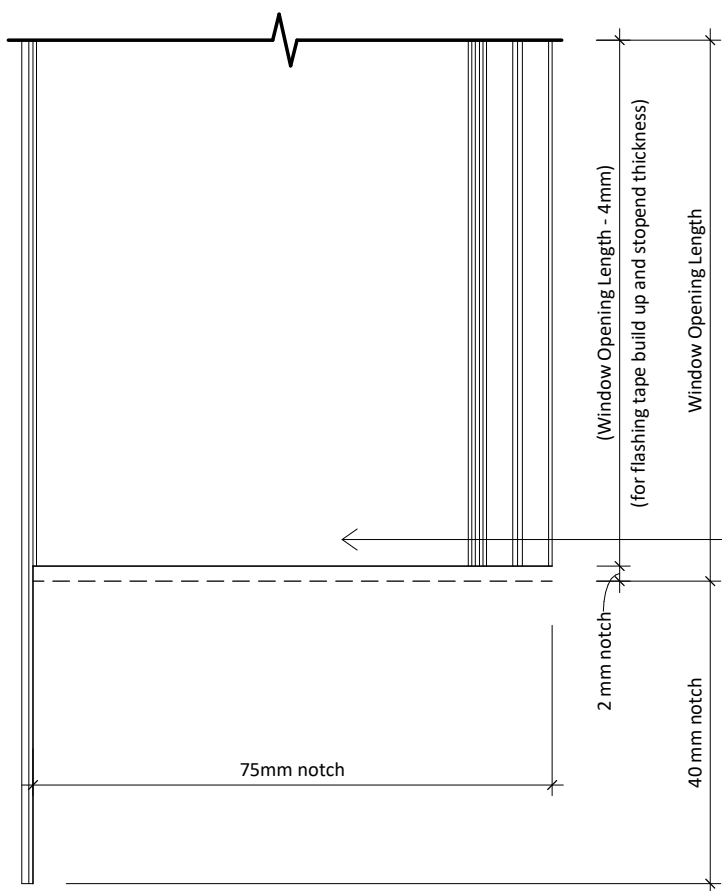
RKFL-23 PC Aluminium sill flashing.  
 Screw fixed to the frame



Plan

End Profile

DOOR SILL FLASHING RKFL-23 Trimmed Dimensions  
 3D Axonometric



Window Opening Length - 4mm  
 (for flashing tape build up and stopend thickness)

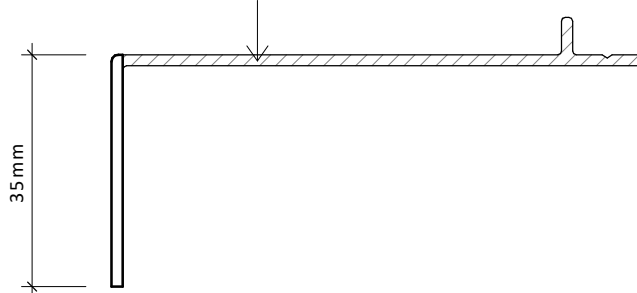
Window Opening Length

2 mm notch

40 mm notch

75mm notch

RKFL-23 PC Aluminium sill flashing.  
 Trimmed as shown



35 mm

DOOR SILL FLASHING RKFL-23 Trimmed Dimensions  
 Plan

DOOR SILL FLASHING RKFL-23 Trimmed Dimensions  
 End Profile

1. Scope as per Clauses 1.0 and 9.4 E2/AS1
2. Compatibility of materials as per Tables 20-22 E2/AS1
3. The flashing system relies upon the joinery meeting the requirements of NZS 4211 and for the relevant building wind pressures
4. INTERSET flashings are designed exclusively for use with the Rosenfeld Kidson Cedarscreen Vertical 45mm system
5. Windows to have a 10mm perimeter clearance for application of a continuous air seal
6. Non-exposed flashings powdercoated in Duralloy. Exposed flashings powdercoated in Duratec
7. Cavity Batten System in-line with Cedarscreen 45mm Vertical System



www.rosenfeldkidson.co.nz  
 www.cedarscreen.co.nz

Postal Address: P O Box 621,  
 Shortland Street, Auckland 1140

Auckland Branch:  
 T: +64 9 573 0503  
 F: +64 9 573 0504  
 513 Mount Wellington Highway  
 Mount Wellington, Auckland 1060

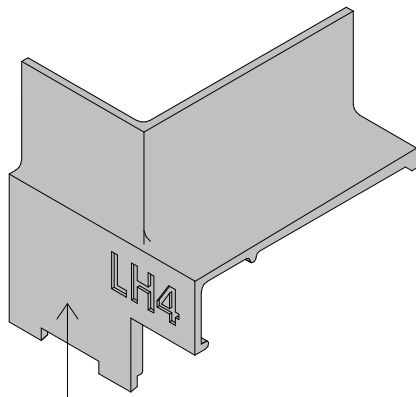
Christchurch Branch:  
 T: +64 3 349 3316  
 F: +64 3 349 3317  
 15 Edmonton Road  
 Hornby, Christchurch 8042

Title **DOOR SILL Flashing Cutting  
 Dimensions**

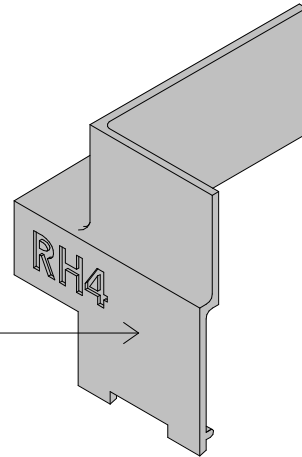
Drawing

**RK-RU-10**

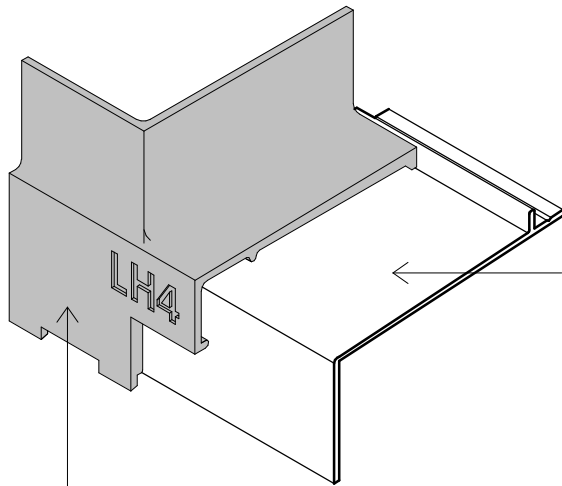
Scale **NTS @ A4** Date 09.09.2022



Proprietary ABS plastic **S-LH4** (left hand)

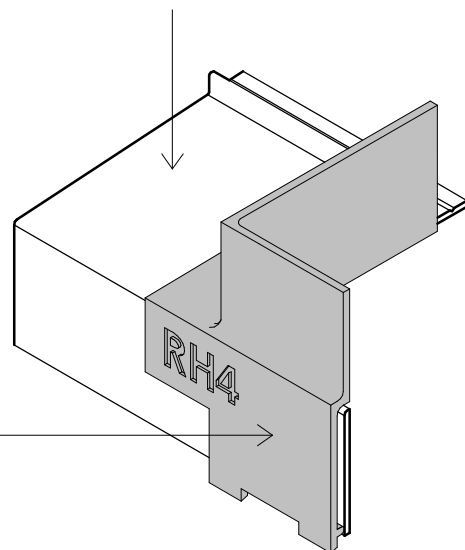


Proprietary ABS plastic **S-RH4** (right hand)



RKFL-23 PC Aluminium sill flashing.  
Screw fixed to the frame

Proprietary ABS plastic **S-LH4**  
sealed to the sill flashing.  
Refer: SIKA Method Statement



Proprietary ABS plastic **S-RH4**  
sealed to the sill flashing.  
Refer: SIKA Method Statement

1. Scope as per Clauses 1.0 and 9.4 E2/AS1
2. Compatibility of materials as per Tables 20-22 E2/AS1
3. The flashing meeting the requirements of NZS 4211 and for the relevant building wind pressures
4. INTERSET flashings are designed exclusively for use with the Rosenfeld Kidson Cedarscreen Vertical 45mm system
5. Windows to have a 10mm perimeter clearance for application of a continuous air seal
6. Non-exposed flashings powdercoated in Duralloy. Exposed flashings powdercoated in Duratec
7. Cavity Batten System in-line with Cedarscreen 45mm Vertical System



www.rosenfeldkidson.co.nz  
www.cedarscreen.co.nz

Postal Address: P O Box 621,  
Shortland Street, Auckland 1140

Auckland Branch:  
T: +64 9 573 0503  
F: +64 9 573 0504  
513 Mount Wellington Highway  
Mount Wellington, Auckland 1060

Christchurch Branch:  
T: +64 3 349 3316  
F: +64 3 349 3317  
15 Edmonton Road  
Hornby, Christchurch 8042

Title **DOOR SILL Flashing Stopends**

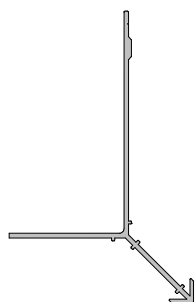
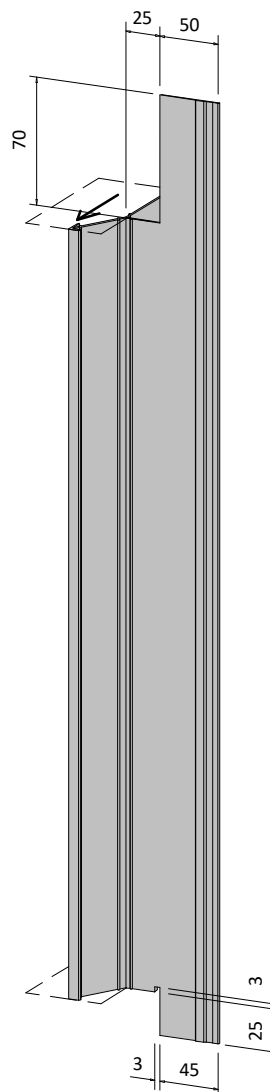
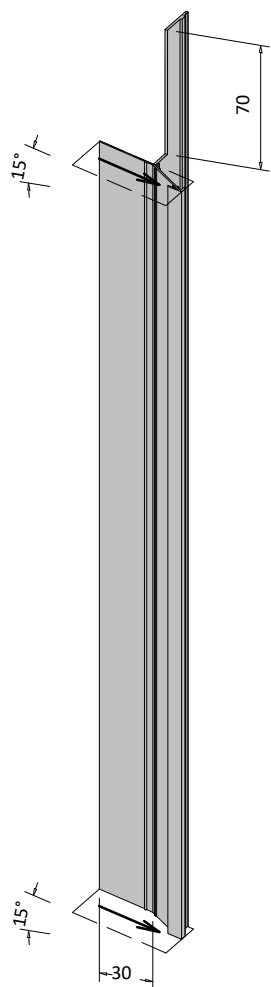
Drawing

**RK-RU-11**

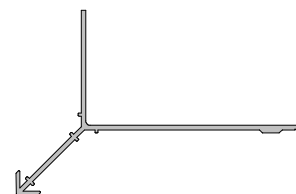
Scale @ A4

Date 09.09.2022

**Cutting Schedule RKFL-31 + RKFL-32 Jamb Flashings  
RIGHT HAND JAMB**



**Jamb Elevation**



**Front Elevation**

1. Scope as per Clauses 1.0 and 9.4 E2/AS1
2. Compatibility of materials as per Tables 20-22 E2/AS1
3. The flashing system relies upon the joinery meeting the requirements of NZS 4211 and for the relevant building wind pressures
4. INTERSET flashings are designed exclusively for use with the Rosenfeld Kidson Cedarscreen Vertical 45mm system
5. Windows to have a 10mm perimeter clearance for application of a continuous air seal
6. Non-exposed flashings powdercoated in Duralloy. Exposed flashings powdercoated in Duratec
7. Cavity Batten System in-line with Cedarscreen 45mm Vertical System



www.rosenfeldkidson.co.nz  
www.cedarscreen.co.nz

Postal Address: P O Box 621,  
Shortland Street, Auckland 1140

Auckland Branch:  
T: +64 9 573 0503  
F: +64 9 573 0504  
513 Mount Wellington Highway  
Mount Wellington, Auckland 1060

Christchurch Branch:  
T: +64 3 349 3316  
F: +64 3 349 3317  
15 Edmonton Road  
Hornby, Christchurch 8042

Title **RKFL-31 Mitre Section - Right Hand Cutting Dimensions**

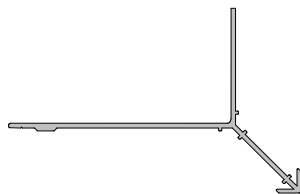
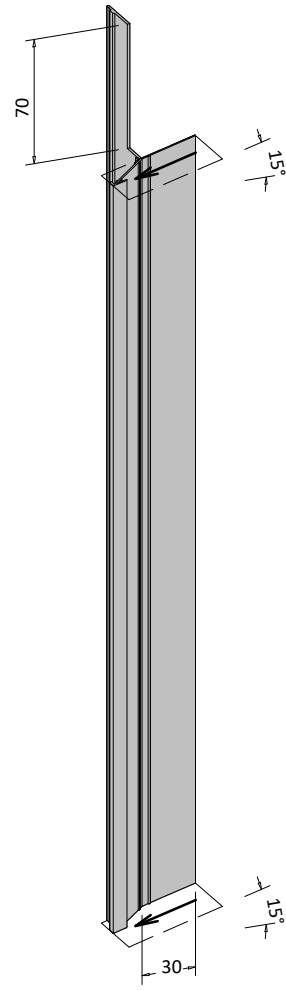
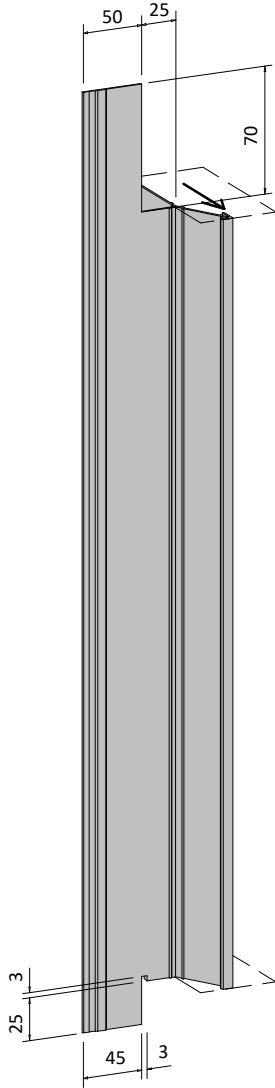
Drawing

**RK-RU-12**

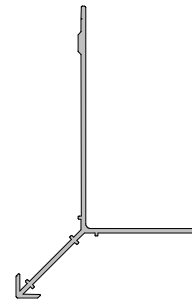
Scale **NTS @ A4**

Date **14.10.2020**

Cutting Schedule RKFL-31 + RKFL-32 Jamb Flashings  
LEFT HAND JAMB



Front Elevation



Jamb Elevation

1. Scope as per Clauses 1.0 and 9.4 E2/AS1
2. Compatibility of materials as per Tables 20-22 E2/AS1
3. The flashing system relies upon the joinery meeting the requirements of NZS 4211 and for the relevant building wind pressures
4. INTERSET flashings are designed exclusively for use with the Rosenfeld Kidson Cedarscreen Vertical 45mm system
5. Windows to have a 10mm perimeter clearance for application of a continuous air seal
6. Non-exposed flashings powdercoated in Duralloy. Exposed flashings powdercoated in Duratec
7. Cavity Batten System in-line with Cedarscreen 45mm Vertical System



www.rosenfeldkidson.co.nz  
www.cedarscreen.co.nz

Postal Address: P O Box 621,  
Shortland Street, Auckland 1140

Auckland Branch:  
T: +64 9 573 0503  
F: +64 9 573 0504  
513 Mount Wellington Highway  
Mount Wellington, Auckland 1060

Christchurch Branch:  
T: +64 3 349 3316  
F: +64 3 349 3317  
15 Edmonton Road  
Hornby, Christchurch 8042

Title **RKFL-31 Mitre Section - Left Hand Cutting Dimensions**

Drawing

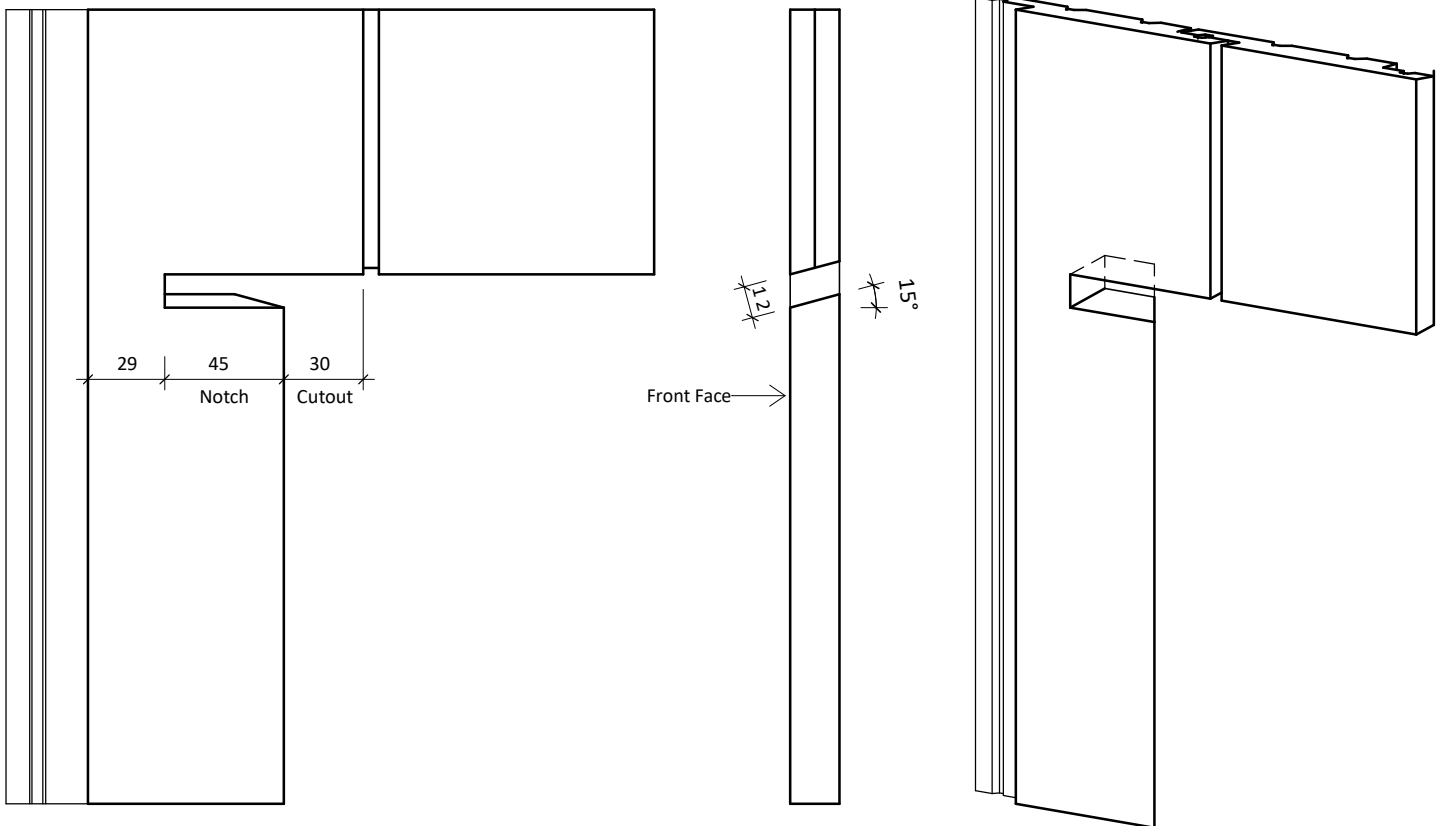
**RK-RU-13**

Scale **NTS @ A4**

Date **14.10.2020**

**Note:**

- Notch for the head flashing and stopend, cut under head on a 15° angle
- Notch is to be central for ALL WEATHERBOARDS, based on the above
- Head and sill cutting dimensions to be parallel
- Run a story rod to accurately locate weatherboard placement at the head and the sill



**Cutting Schedule for RK55 Vertical Shiplap Weatherboard  
used with RKFL-31 + RKFL-32 Jamb Flashings  
LEFT HAND JAMB**

1. Scope as per Clauses 1.0 and 9.4 E2/AS1
2. Compatibility of materials as per Tables 20-22 E2/AS1
3. The flashing system relies upon the joinery meeting the requirements of NZS 4211 and for the relevant building wind pressures
4. INTERSET flashings are designed exclusively for use with the Rosenfeld Kidson Cedarscreen Vertical 45mm system
5. Windows to have a 10mm perimeter clearance for application of a continuous air seal
6. Non-exposed flashings powdercoated in Duralloy. Exposed flashings powdercoated in Duratec
7. Cavity Batten System in-line with Cedarscreen 45mm Vertical System



[www.rosenfeldkidson.co.nz](http://www.rosenfeldkidson.co.nz)  
[www.cedarscreen.co.nz](http://www.cedarscreen.co.nz)

Postal Address: P O Box 621,  
Shortland Street, Auckland 1140

Auckland Branch:  
T: +64 9 573 0503  
F: +64 9 573 0504  
513 Mount Wellington Highway  
Mount Wellington, Auckland 1060

Christchurch Branch:  
T: +64 3 349 3316  
F: +64 3 349 3317  
15 Edmonton Road  
Hornby, Christchurch 8042

Title **RK55 HEAD Section Cutting  
Dimensions**

Drawing

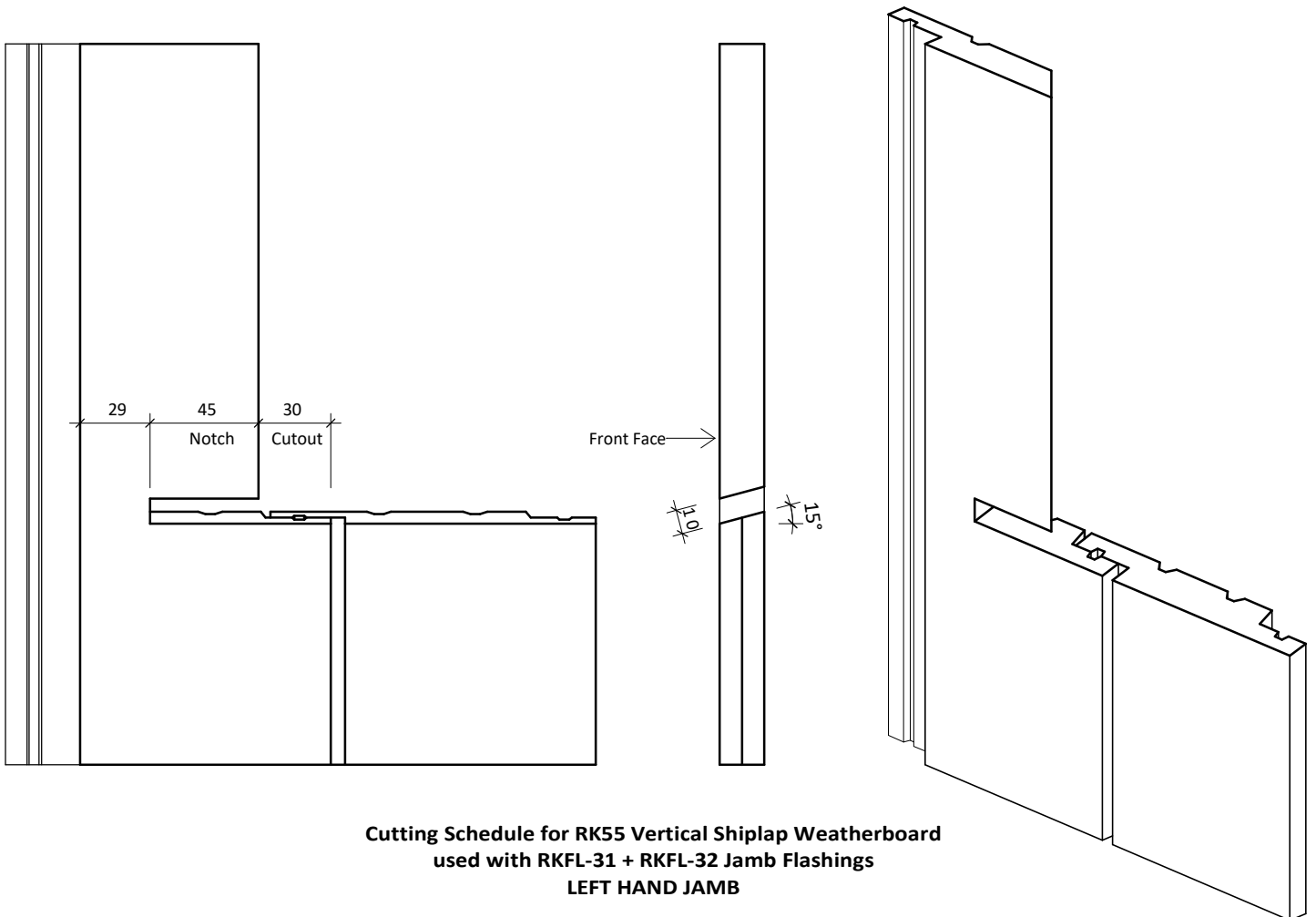
**RK-RU-14**

Scale **NTS @ A4**

Date **14.10.2020**

**Note:**

- Notch for the sill flashing and stopend, cut under sill on a 15° angle
- Notch is to be central for ALL WEATHERBOARDS, based on the above
- Head and sill cutting dimensions to be parallel
- Run a story rod to accurately locate weatherboard placement at the head and the sill



1. Scope as per Clauses 1.0 and 9.4 E2/AS1
2. Compatibility of materials as per Tables 20-22 E2/AS1
3. The flashing system relies upon the joinery meeting the requirements of NZS 4211 and for the relevant building wind pressures
4. INTERSET flashings are designed exclusively for use with the Rosenfeld Kidson Cedarscreen Vertical 45mm system
5. Windows to have a 10mm perimeter clearance for application of a continuous air seal
6. Non-exposed flashings powdercoated in Duralloy. Exposed flashings powdercoated in Duratec
7. Cavity Batten System in-line with Cedarscreen 45mm Vertical System



[www.rosenfeldkidson.co.nz](http://www.rosenfeldkidson.co.nz)  
[www.cedarscreen.co.nz](http://www.cedarscreen.co.nz)

Postal Address: P O Box 621,  
Shortland Street, Auckland 1140

Auckland Branch:  
T: +64 9 573 0503  
F: +64 9 573 0504  
513 Mount Wellington Highway  
Mount Wellington, Auckland 1060

Christchurch Branch:  
T: +64 3 349 3316  
F: +64 3 349 3317  
15 Edmonton Road  
Hornby, Christchurch 8042

Title **RK55 SILL Section Cutting  
Dimensions**

Drawing

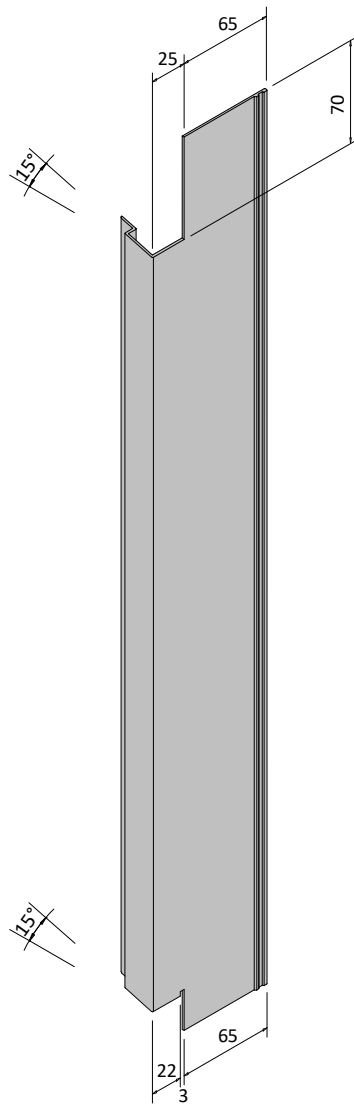
**RK-RU-15**

Scale **NTS @ A4**

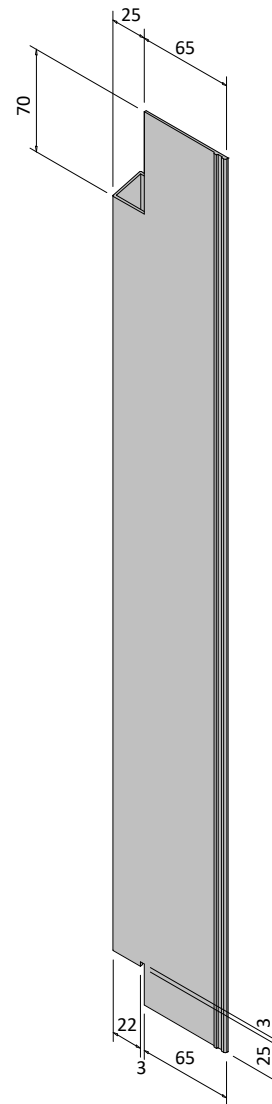
Date **14.10.2020**



**Cutting Schedule RKFL-21 + RKFL-22 Flashings  
RIGHT HAND JAMB**



**Jamb Elevation**



**Front Elevation**

1. Scope as per Clauses 1.0 and 9.4 E2/AS1
2. Compatibility of materials as per Tables 20-22 E2/AS1
3. The flashing system relies upon the joinery meeting the requirements of NZS 4211 and for the relevant building wind pressures
4. INTERSET flashings are designed exclusively for use with the Rosenfeld Kidson Cedarscreen Vertical 45mm system
5. Windows to have a 10mm perimeter clearance for application of a continuous air seal
6. Non-exposed flashings powdercoated in Duralloy. Exposed flashings powdercoated in Duratec
7. Cavity Batten System in-line with Cedarscreen 45mm Vertical System



www.rosenfeldkidson.co.nz  
www.cedarscreen.co.nz

Postal Address: P O Box 621,  
Shortland Street, Auckland 1140

Auckland Branch:  
T: +64 9 573 0503  
F: +64 9 573 0504  
513 Mount Wellington Highway  
Mount Wellington, Auckland 1060

Christchurch Branch:  
T: +64 3 349 3316  
F: +64 3 349 3317  
15 Edmonton Road  
Hornby, Christchurch 8042

Title **RKFL-22 Mitre Section - Right Hand Cutting Dimensions**

Drawing

**RK-RU-16**

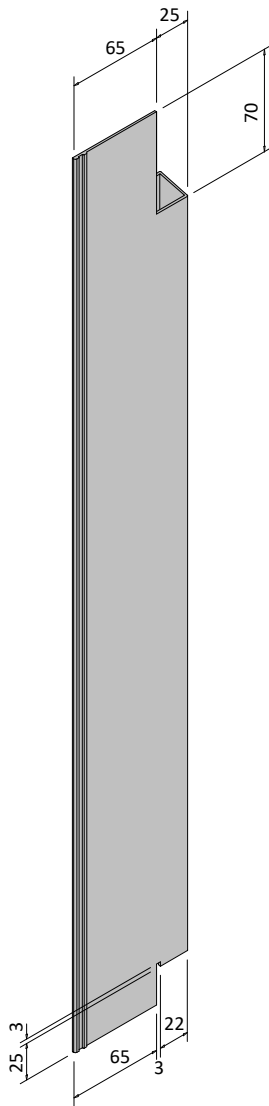
Scale **NTS @ A4**

Date **14.10.2020**

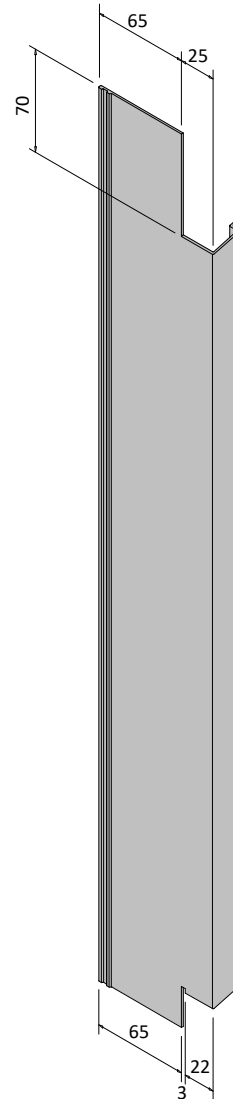
**Cutting Schedule RKFL-21 + RKFL-22 Flashings  
LEFT HAND JAMB**



**CODEMARK**<sup>SM</sup>  
CM70082



**Front Elevation**



**Jamb Elevation**

1. Scope as per Clauses 1.0 and 9.4 E2/AS1
2. Compatibility of materials as per Tables 20-22 E2/AS1
3. The flashing system relies upon the joinery meeting the requirements of NZS 4211 and for the relevant building wind pressures
4. INTERSET flashings are designed exclusively for use with the Rosenfeld Kidson Cedarscreen Vertical 45mm system
5. Windows to have a 10mm perimeter clearance for application of a continuous air seal
6. Non-exposed flashings powdercoated in Duralloy. Exposed flashings powdercoated in Duratec
7. Cavity Batten System in-line with Cedarscreen 45mm Vertical System



www.rosenfeldkidson.co.nz  
www.cedarscreen.co.nz

Postal Address: P O Box 621,  
Shortland Street, Auckland 1140

Auckland Branch:  
T: +64 9 573 0503  
F: +64 9 573 0504  
513 Mount Wellington Highway  
Mount Wellington, Auckland 1060

Christchurch Branch:  
T: +64 3 349 3316  
F: +64 3 349 3317  
15 Edmonton Road  
Hornby, Christchurch 8042

Title **RKFL-22 Mitre Section - Left  
Hand Cutting Dimensions**

Drawing

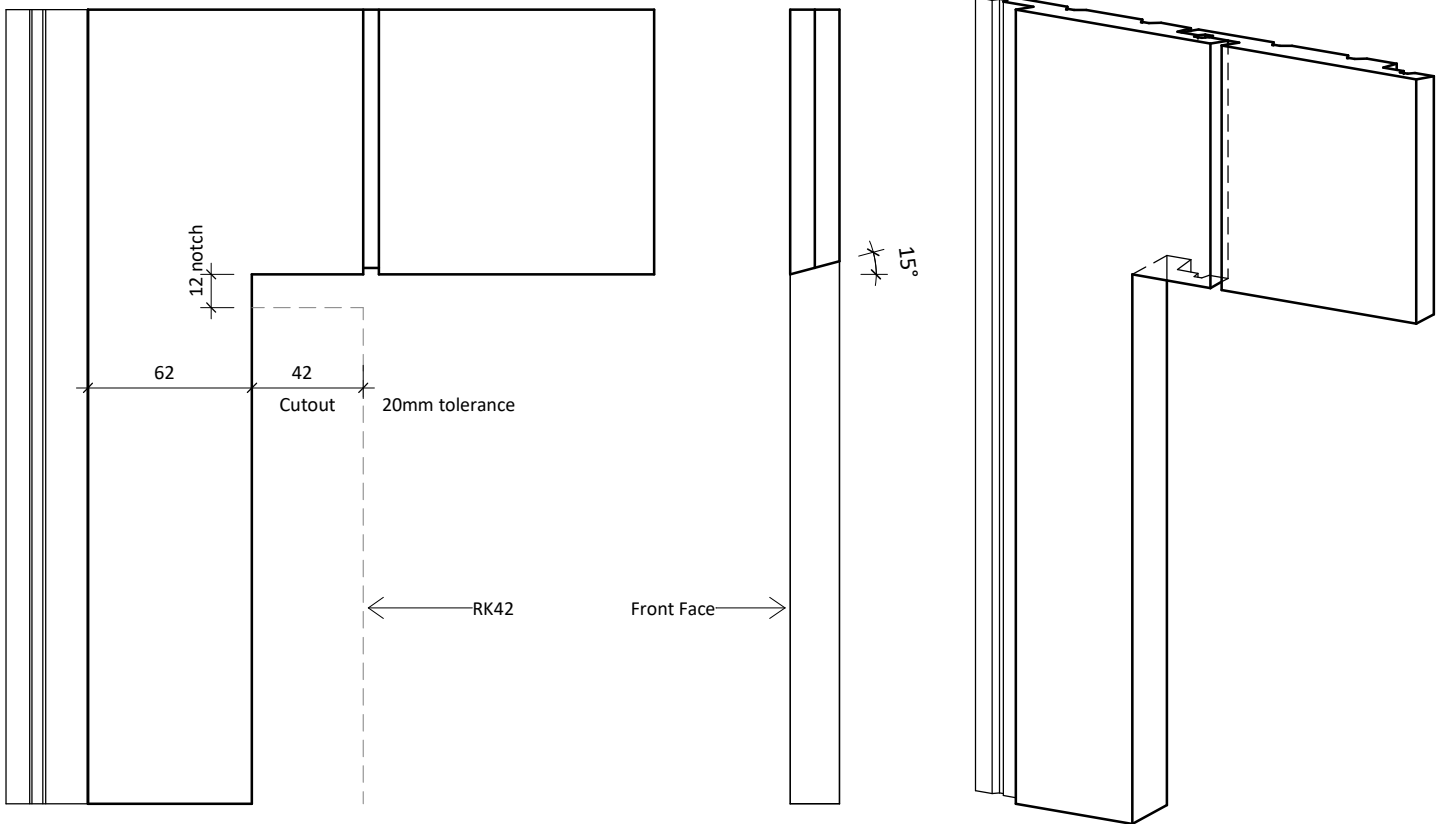
**RK-RU-17**

Scale **NTS @ A4**

Date **14.10.2020**

Note:

- Notch for the head flashing and stopend, cut under head on a 15° angle
- Notch is to be central for ALL WEATHERBOARDS, based on the above
- Head and sill cutting dimensions to be parallel
- Run a story rod to accurately locate weatherboard placement at the head and the sill



**Cutting Schedule for RK55 Vertical Shiplap Weatherboard  
used with RK42 Jamb Moulding + RKFL-22 Jamb Flashing  
LEFT HAND JAMB**

1. Scope as per Clauses 1.0 and 9.4 E2/AS1
2. Compatibility of materials as per Tables 20-22 E2/AS1
3. The flashing system relies upon the joinery meeting the requirements of NZS 4211 and for the relevant building wind pressures
4. INTERSET flashings are designed exclusively for use with the Rosenfeld Kidson Cedarscreen Vertical 45mm system
5. Windows to have a 10mm perimeter clearance for application of a continuous air seal
6. Non-exposed flashings powdercoated in Duralloy. Exposed flashings powdercoated in Duratec
7. Cavity Batten System in-line with Cedarscreen 45mm Vertical System



www.rosenfeldkidson.co.nz  
www.cedarscreen.co.nz

Postal Address: P O Box 621,  
Shortland Street, Auckland 1140

Auckland Branch:  
T: +64 9 573 0503  
F: +64 9 573 0504  
513 Mount Wellington Highway  
Mount Wellington, Auckland 1060

Christchurch Branch:  
T: +64 3 349 3316  
F: +64 3 349 3317  
15 Edmonton Road  
Hornby, Christchurch 8042

Title **RK55 HEAD Section Cutting  
Dimensions for RK42**

Drawing

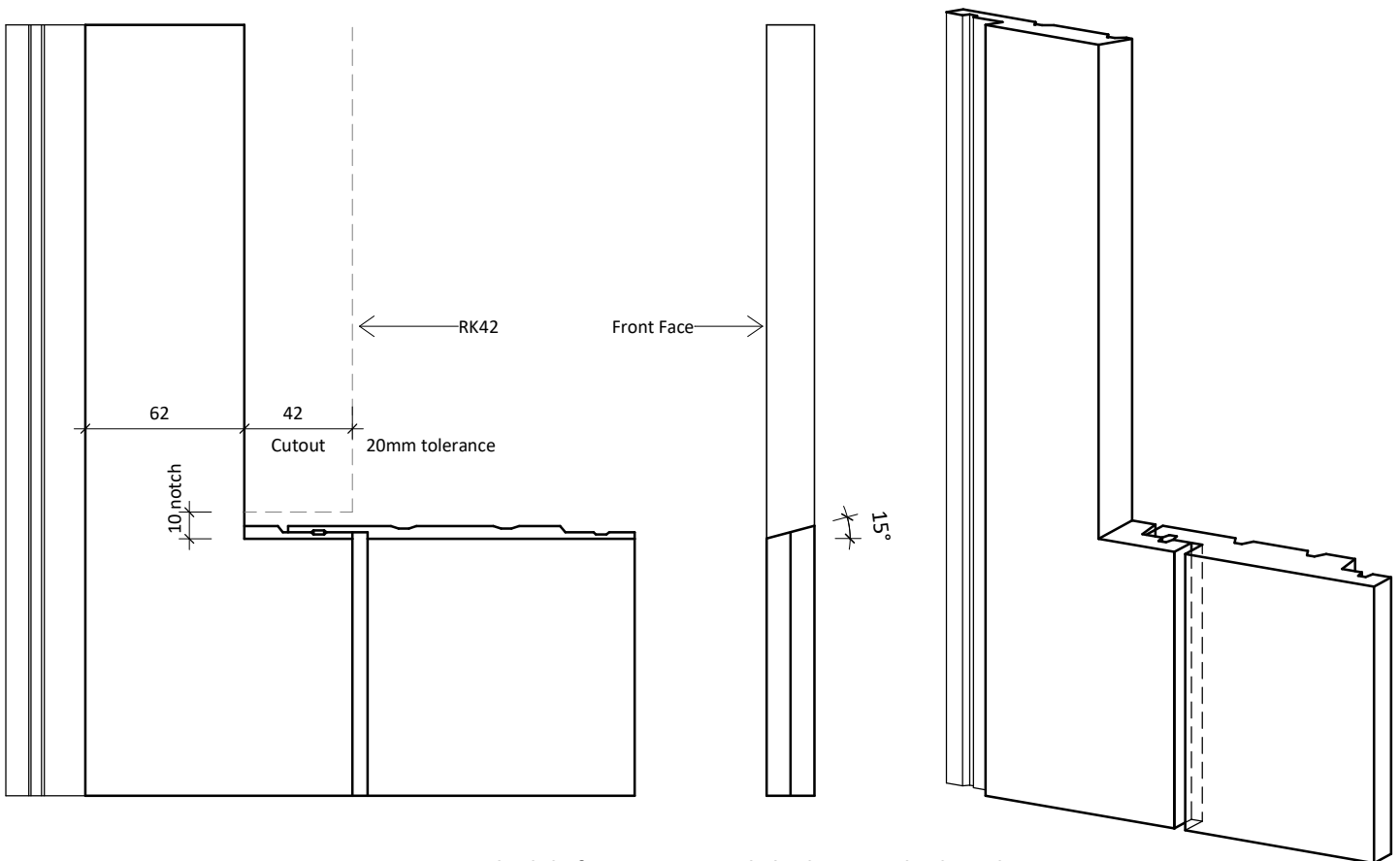
**RK-RU-18**

Scale **NTS @ A4**

Date **14.10.2020**

**Note:**

- Notch for the sill flashing and stopend, cut under sill on a 15° angle
- Notch is to be central for ALL WEATHERBOARDS, based on the above
- Head and sill cutting dimensions to be parallel
- Run a story rod to accurately locate weatherboard placement at the head and the sill



**Cutting Schedule for RK55 Vertical Shiplap Weatherboard  
used with RK42 Jamb Moulding + RKFL-22 Jamb Flashing  
LEFT HAND JAMB**

1. Scope as per Clauses 1.0 and 9.4 E2/AS1
2. Compatibility of materials as per Tables 20-22 E2/AS1
3. The flashing system relies upon the joinery meeting the requirements of NZS 4211 and for the relevant building wind pressures
4. INTERSET flashings are designed exclusively for use with the Rosenfeld Kidson Cedarscreen Vertical 45mm system
5. Windows to have a 10mm perimeter clearance for application of a continuous air seal
6. Non-exposed flashings powdercoated in Duralloy. Exposed flashings powdercoated in Duratec
7. Cavity Batten System in-line with Cedarscreen 45mm Vertical System



www.rosenfeldkidson.co.nz  
www.cedarscreen.co.nz

Postal Address: P O Box 621,  
Shortland Street, Auckland 1140

Auckland Branch:  
T: +64 9 573 0503  
F: +64 9 573 0504  
513 Mount Wellington Highway  
Mount Wellington, Auckland 1060

Christchurch Branch:  
T: +64 3 349 3316  
F: +64 3 349 3317  
15 Edmonton Road  
Hornby, Christchurch 8042

Title **RK55 SILL Section Cutting  
Dimensions for RK42**

Drawing

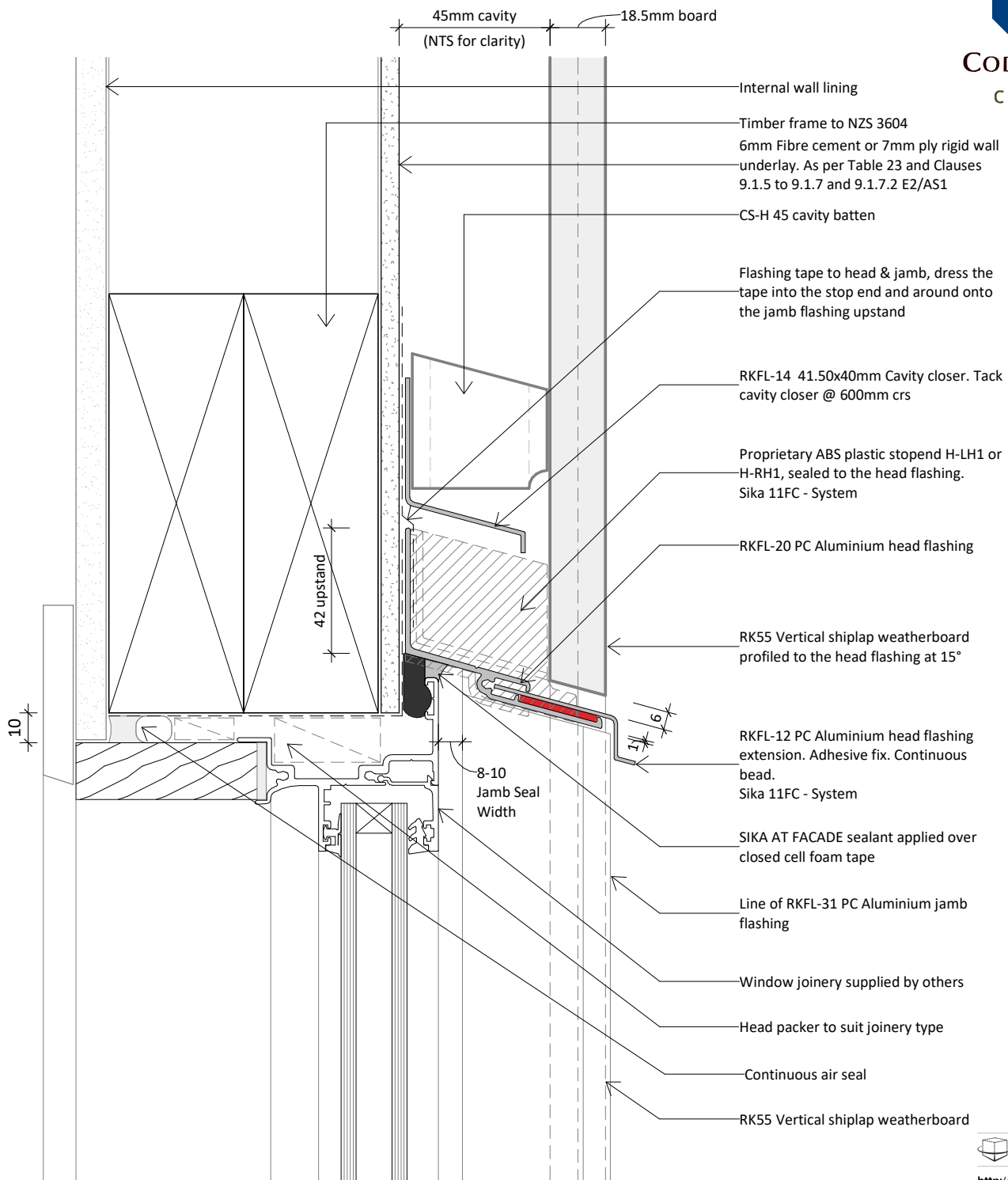
**RK-RU-19**

Scale **NTS @ A4**

Date **14.10.2020**



**CODEMARK<sup>SM</sup>**  
CM70082



interactive assembly instructions available

<http://wksp.nz/rki-rwf-wf3>



Get **WORKINGSPEC** from Apple App Store/Google Play

1. Scope as per Clauses 1.0 and 9.4 E2/AS1
2. Compatibility of materials as per Tables 20-22 E2/AS1
3. The flashing system relies upon the joinery meeting the requirements of NZS 4211 and for the relevant building wind pressures
4. INTERSET flashings are designed exclusively for use with the Rosenfeld Kidson Cedarscreen Vertical 45mm system
5. Windows to have a 10mm perimeter clearance for application of a continuous air seal
6. Non-exposed flashings powdercoated in Duralloy. Exposed flashings powdercoated in Duratec
7. Cavity Batten System in-line with Cedarscreen 45mm Vertical System



[www.rosenfeldkidson.co.nz](http://www.rosenfeldkidson.co.nz)  
[www.cedarscreen.co.nz](http://www.cedarscreen.co.nz)

Postal Address: P O Box 621,  
Shortland Street, Auckland 1140

Auckland Branch:  
T: +64 9 573 0503  
F: +64 9 573 0504  
513 Mount Wellington Highway  
Mount Wellington, Auckland 1060

Christchurch Branch:  
T: +64 3 349 3316  
F: +64 3 349 3317  
15 Edmonton Road  
Hornby, Christchurch 8042

Title **Window Head Detail**

Drawing

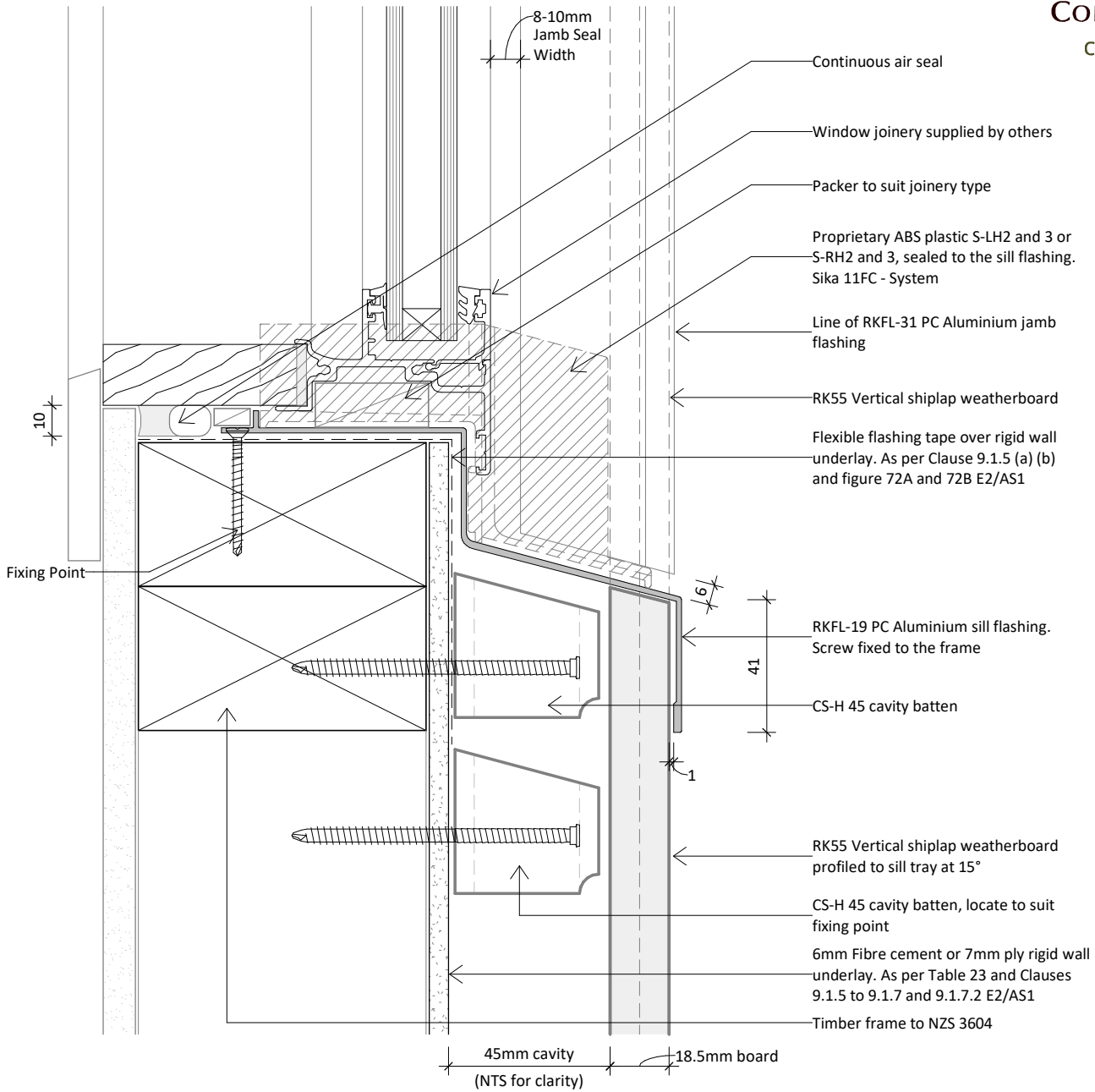
**RK-RU-20**

Scale 1 : 2 @ A4

Date 14.10.2020



**CODEMARK™**  
CM70082



interactive assembly instructions available

<http://wksp.nz/rki-rwf-wf3>



Get **WORKINGSPEC** from Apple App Store/Google Play

1. Scope as per Clauses 1.0 and 9.4 E2/AS1
2. Compatibility of materials as per Tables 20-22 E2/AS1
3. The flashing system relies upon the joinery meeting the requirements of NZS 4211 and for the relevant building wind pressures
4. INTERSET flashings are designed exclusively for use with the Rosenfeld Kidson Cedarscreen Vertical 45mm system
5. Windows to have a 10mm perimeter clearance for application of a continuous air seal
6. Non-exposed flashings powdercoated in Duralloy. Exposed flashings powdercoated in Duratec
7. Cavity Batten System in-line with Cedarscreen 45mm Vertical System

**INTERSET**  
RECESSED WINDOWS FOR TIMBER CLADDING

[www.rosenfeldkidson.co.nz](http://www.rosenfeldkidson.co.nz)  
[www.cedarscreen.co.nz](http://www.cedarscreen.co.nz)

Postal Address: P O Box 621,  
Shortland Street, Auckland 1140

Auckland Branch:  
T: +64 9 573 0503  
F: +64 9 573 0504  
513 Mount Wellington Highway  
Mount Wellington, Auckland 1060

Christchurch Branch:  
T: +64 3 349 3316  
F: +64 3 349 3317  
15 Edmonton Road  
Hornby, Christchurch 8042

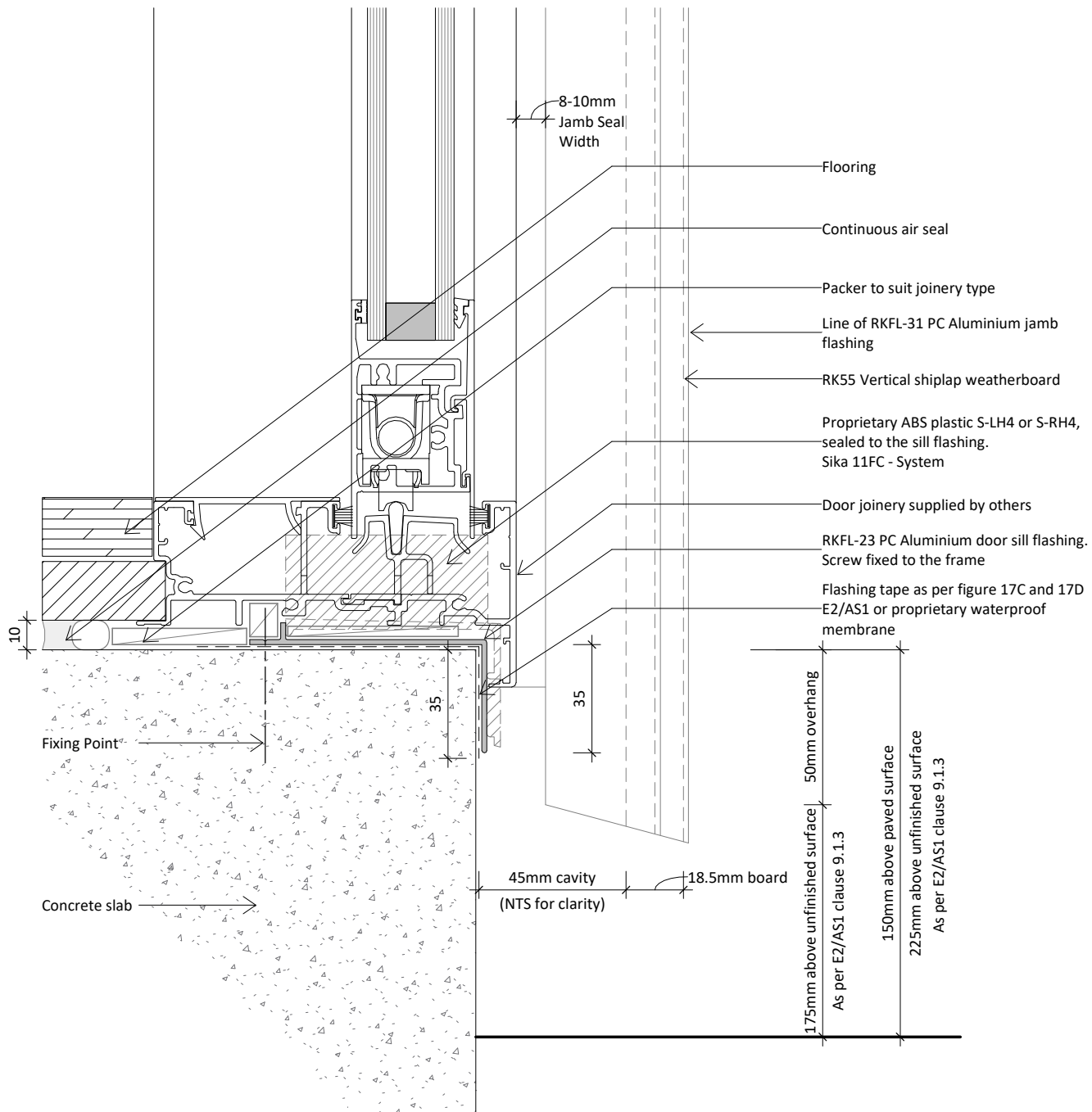
Title **Window Sill Detail**

Drawing

**RK-RU-21**

Scale 1 : 2 @ A4

Date 14.10.2020



1. Scope as per Clauses 1.0 and 9.4 E2/AS1
2. Compatibility of materials as per Tables 20-22 E2/AS1
3. The flashing system relies upon the joinery meeting the requirements of NZS 4211 and for the relevant building wind pressures
4. INTERSET flashings are designed exclusively for use with the Rosenfeld Kidson Cedarscreen Vertical 45mm system
5. Windows to have a 10mm perimeter clearance for application of a continuous air seal
6. Non-exposed flashings powdercoated in Duralloy. Exposed flashings powdercoated in Duratec
7. Cavity Batten System in-line with Cedarscreen 45mm Vertical System



www.rosenfeldkidson.co.nz  
www.cedarscreen.co.nz

Postal Address: P O Box 621,  
Shortland Street, Auckland 1140

Auckland Branch:  
T: +64 9 573 0503  
F: +64 9 573 0504  
513 Mount Wellington Highway  
Mount Wellington, Auckland 1060

Christchurch Branch:  
T: +64 3 349 3316  
F: +64 3 349 3317  
15 Edmonton Road  
Hornby, Christchurch 8042

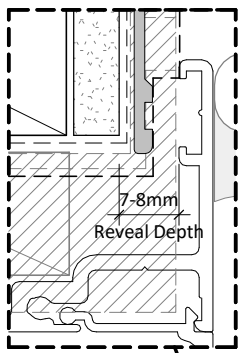
Title **Door Sill Full Height Joinery  
Detail**

Drawing

**RK-RU-22**

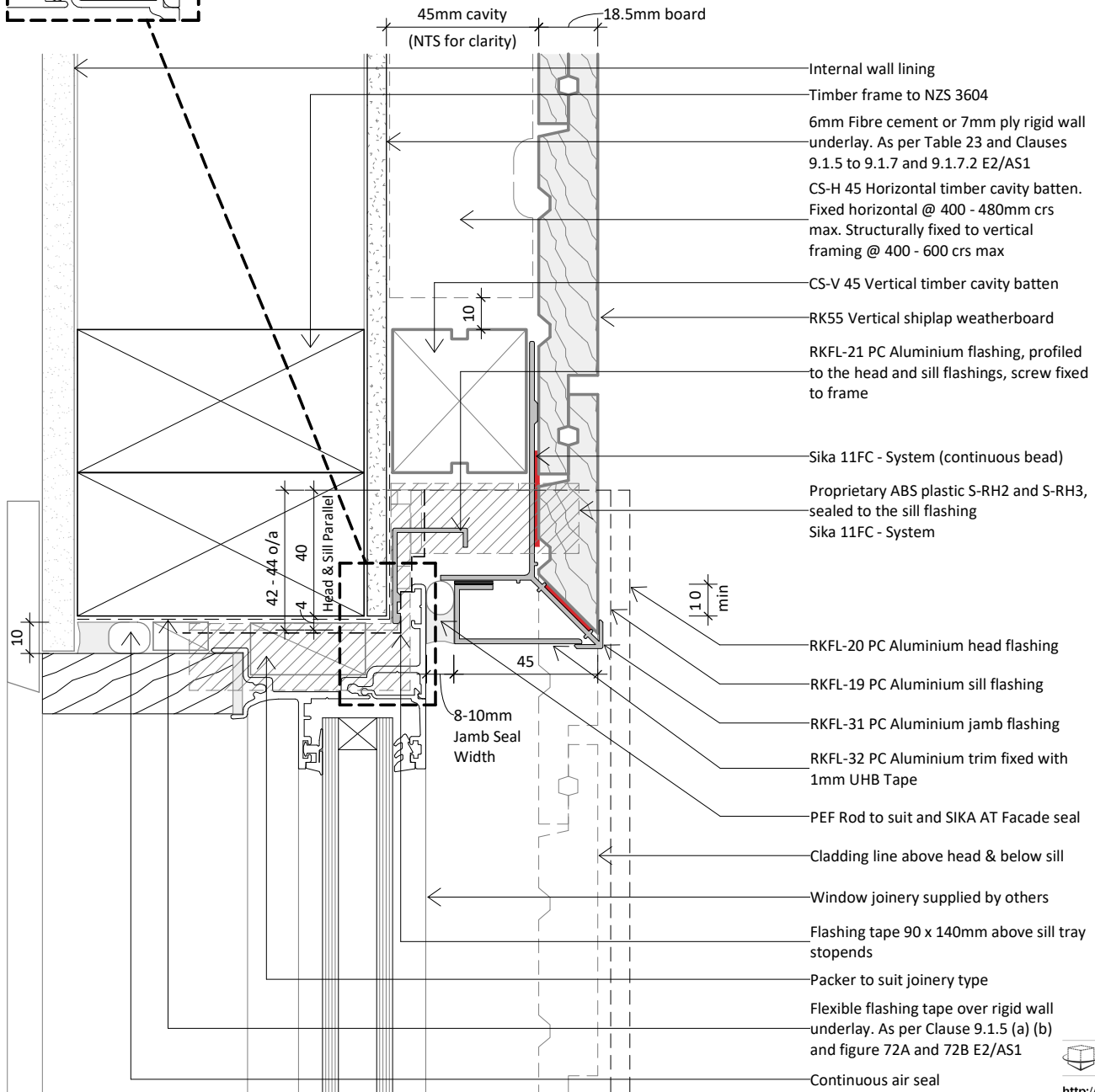
Scale 1 : 2 @ A4

Date 09.09.2022



### Reveal Depth Allowance

Depends on:  
-flashing tape and  
stopend buildup



1. Scope as per Clauses 1.0 and 9.4 E2/AS1
2. Compatibility of materials as per Tables 20-22 E2/AS1
3. The flashing system relies upon the joinery meeting the requirements of NZS 4211 and for the relevant building wind pressures
4. INTERSET flashings are designed exclusively for use with the Rosenfeld Kidson Cedarscreen Vertical 45mm system
5. Windows to have a 10mm perimeter clearance for application of a continuous air seal
6. Non-exposed flashings powdercoated in Duralloy. Exposed flashings powdercoated in Duratec
7. Cavity Batten System in-line with Cedarscreen 45mm Vertical System

 interactive assembly instructions available

<http://wksp.nz/rki-rwf-wf3>



Get **WORKINGSPEC** from Apple App Store/Google Play



[www.rosenfeldkidson.co.nz](http://www.rosenfeldkidson.co.nz)  
[www.cedarscreen.co.nz](http://www.cedarscreen.co.nz)

Postal Address: P O Box 621,  
Shortland Street, Auckland 1140

Auckland Branch:  
T: +64 9 573 0503  
F: +64 9 573 0504  
513 Mount Wellington Highway  
Mount Wellington, Auckland 1060

Christchurch Branch:  
T: +64 3 349 3316  
F: +64 3 349 3317  
15 Edmonton Road  
Hornby, Christchurch 8042

Title **Window Jamb Right Hand  
Aluminium Trim Detail**

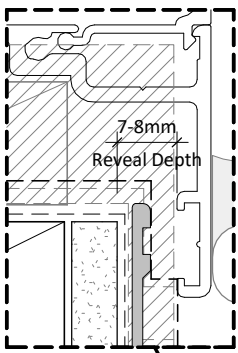
Drawing

**RK-RU-23**

Scale 1 : 2 @ A4

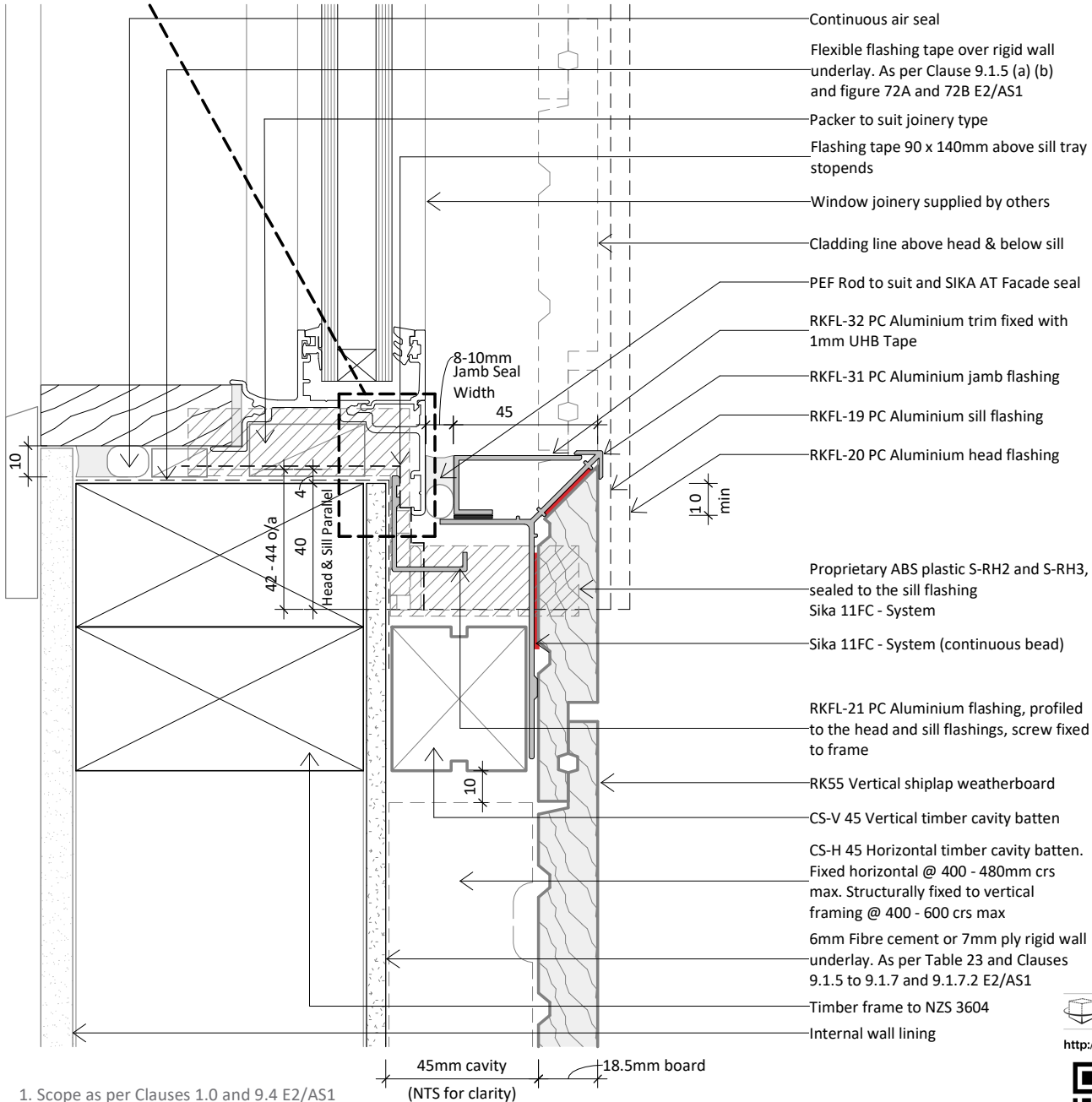
Date 14.10.2020





**Reveal Depth Allowance**

Depends on:  
-flashing tape and  
stopend buildup



1. Scope as per Clauses 1.0 and 9.4 E2/AS1
2. Compatibility of materials as per Tables 20-22 E2/AS1
3. The flashing system relies upon the joinery meeting the requirements of NZS 4211 and for the relevant building wind pressures
4. INTERSET flashings are designed exclusively for use with the Rosenfeld Kidson Cedarscreen Vertical 45mm system
5. Windows to have a 10mm perimeter clearance for application of a continuous air seal
6. Non-exposed flashings powdercoated in Duralloy. Exposed flashings powdercoated in Duratec
7. Cavity Batten System in-line with Cedarscreen 45mm Vertical System

interactive assembly instructions available

<http://wksnz/rki-rwf-wf3>



Get **WORKINGSPEC** from Apple App Store/Google Play



www.rosenfeldkidson.co.nz  
www.cedarscreen.co.nz

Postal Address: P O Box 621,  
Shortland Street, Auckland 1140

Auckland Branch:  
T: +64 9 573 0503  
F: +64 9 573 0504  
513 Mount Wellington Highway  
Mount Wellington, Auckland 1060

Christchurch Branch:  
T: +64 3 349 3316  
F: +64 3 349 3317  
15 Edmonton Road  
Hornby, Christchurch 8042

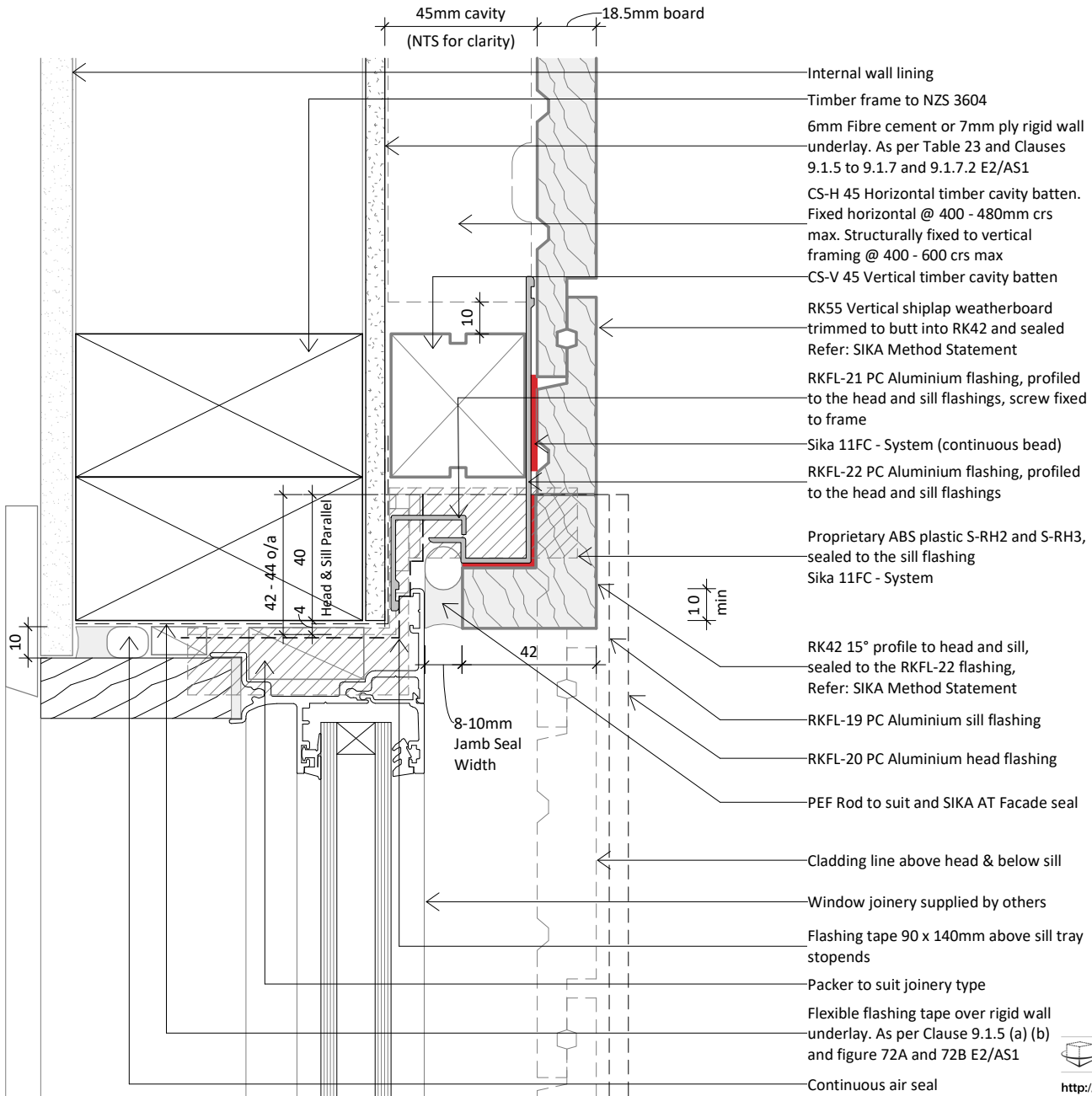
Title **Window Jamb Left Hand Aluminium Trim Detail**

Drawing

**RK-RU-24**

Scale 1 : 2 @ A4

Date 14.10.2020



interactive assembly instructions available

<http://wksnz/rki-rwf-wf1>



Get **WORKINGSPEC** from Apple App Store/Google Play

1. Scope as per Clauses 1.0 and 9.4 E2/AS1
2. Compatibility of materials as per Tables 20-22 E2/AS1
3. The flashing system relies upon the joinery meeting the requirements of NZS 4211 and for the relevant building wind pressures
4. INTERSET flashings are designed exclusively for use with the Rosenfeld Kidson Cedarscreen Vertical 45mm system
5. Windows to have a 10mm perimeter clearance for application of a continuous air seal
6. Non-exposed flashings powdercoated in Duralloy. Exposed flashings powdercoated in Duratec
7. Cavity Batten System in-line with Cedarscreen 45mm Vertical System

**INTERSET**  
RECESSED WINDOWS FOR TIMBER CLADDING

[www.rosenfeldkidson.co.nz](http://www.rosenfeldkidson.co.nz)  
[www.cedarscreen.co.nz](http://www.cedarscreen.co.nz)

Postal Address: P O Box 621,  
Shortland Street, Auckland 1140

Auckland Branch:  
T: +64 9 573 0503  
F: +64 9 573 0504  
513 Mount Wellington Highway  
Mount Wellington, Auckland 1060

Christchurch Branch:  
T: +64 3 349 3316  
F: +64 3 349 3317  
15 Edmonton Road  
Hornby, Christchurch 8042

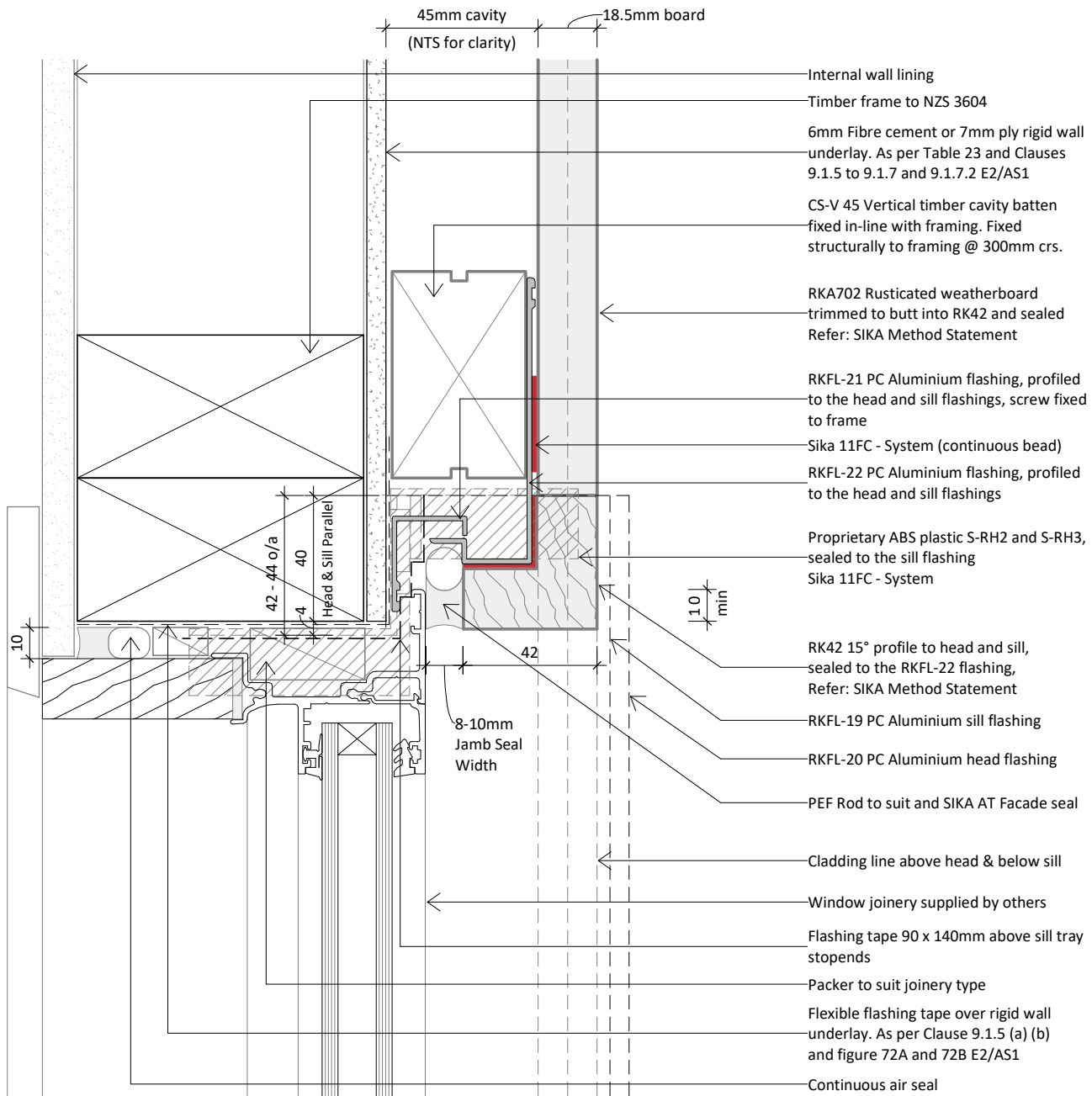
Title **Alternative Jamb Detail RH  
RK42 Vertical**

Drawing

**RK-RU-25**

Scale 1 : 2 @ A4

Date 14.10.2020



1. Scope as per Clauses 1.0 and 9.4 E2/AS1
2. Compatibility of materials as per Tables 20-22 E2/AS1
3. The flashing system relies upon the joinery meeting the requirements of NZS 4211 and for the relevant building wind pressures
4. INTERSET flashings are designed exclusively for use with the Rosenfeld Kidson Cedarscreen Vertical 45mm system
5. Windows to have a 10mm perimeter clearance for application of a continuous air seal
6. Non-exposed flashings powdercoated in Duralloy. Exposed flashings powdercoated in Duratec
7. Cavity Batten System in-line with Cedarscreen 45mm Vertical System

**INTERSET**  
RECESSED WINDOWS FOR TIMBER CLADDING

www.rosenfeldkidson.co.nz  
www.cedarscreen.co.nz

Postal Address: P O Box 621,  
Shortland Street, Auckland 1140

Auckland Branch:  
T: +64 9 573 0503  
F: +64 9 573 0504  
513 Mount Wellington Highway  
Mount Wellington, Auckland 1060

Christchurch Branch:  
T: +64 3 349 3316  
F: +64 3 349 3317  
15 Edmonton Road  
Hornby, Christchurch 8042

Title **Alternative Jamb Detail RH  
RK42 Horizontal**

Drawing

**RK-RU-26**

Scale 1 : 2 @ A4

Date 14.10.2020

# **Appendix - Sika Method Statement**



# METHODOLOGY

## DIRECT BONDING ABS PLASTIC FLASHINGS TO POWDER COATED ALUMINIUM FLASHINGS USING SIKAFLEX®-11 FC

PROJECT NAME:

PROJECT LOCATION:

SCOPE OF WORK:

Bonding ABS plastic to powder coated aluminium flashings.  
Refer to Cladding Systems details RK-RWF-20 and RK-RWF-21

SPECIFICATION DATE:

25.09.15

SPECIFICATION NUMBER:

PRODUCTS:

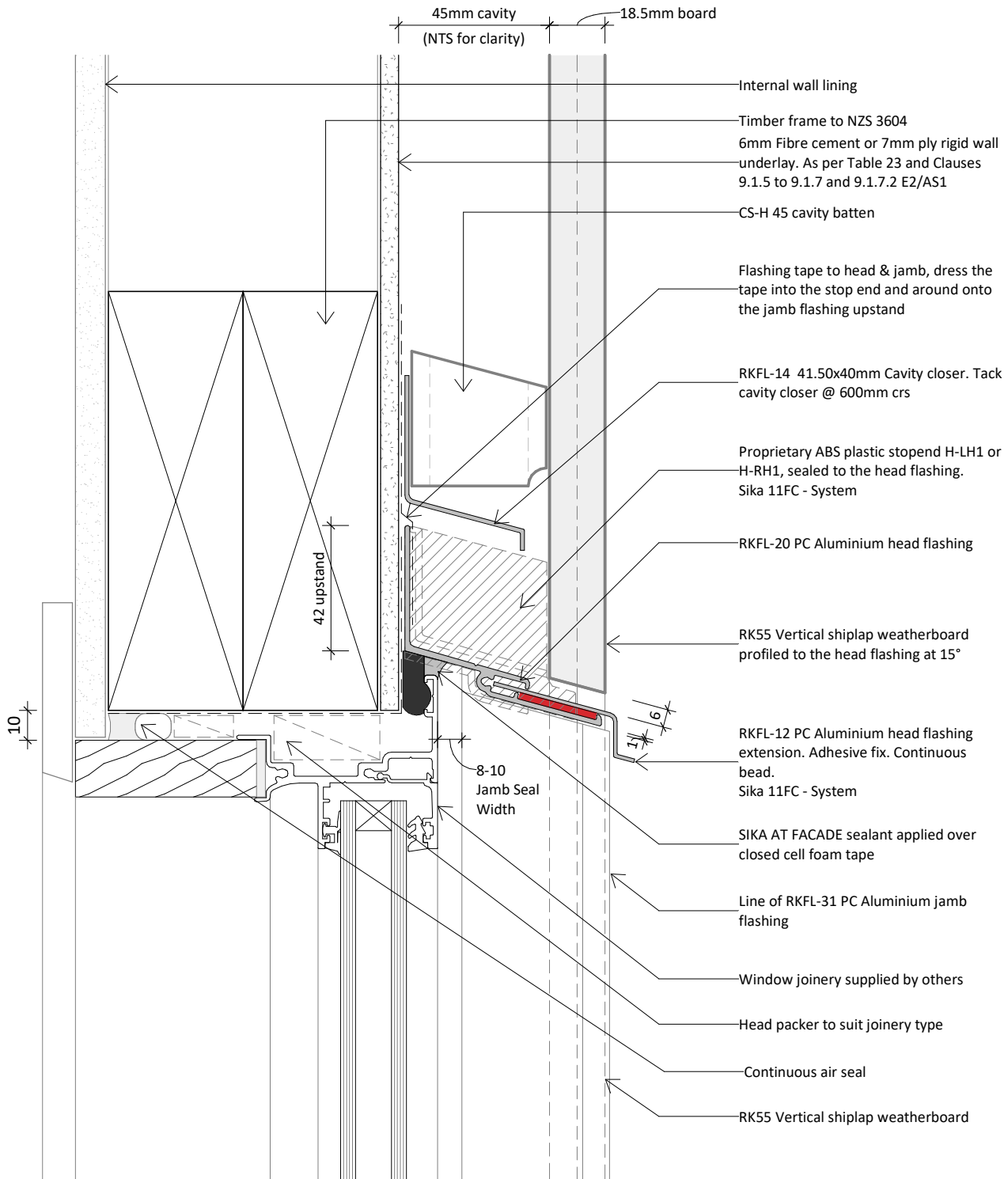
Sikaflex-11 FC  
Sika Primer-3 N

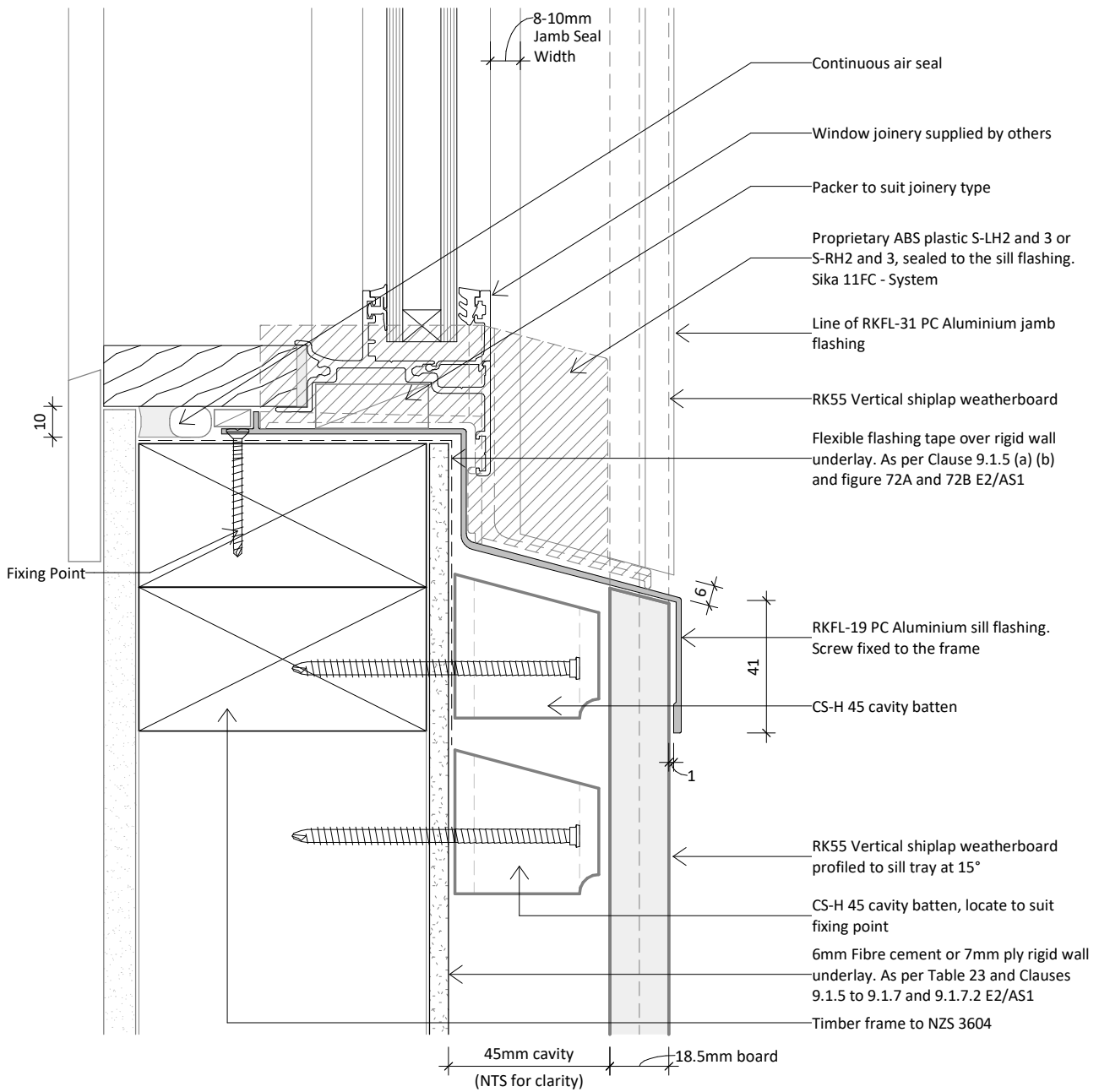
SURFACE 1:

ABS plastic flashings

SURFACE 2:

Powder coated aluminium flashings





### Important

These working instructions have been prepared based on Sika's current knowledge and experience of Sika's products when properly stored, handled and applied under normal conditions. They only apply to the application(s) and product(s) referred to in these instructions.

In case of changes in the parameters of the application, such as changes in substrates etc., or in case of a different application, consult Sika's Technical Service prior to using Sika's products. The user of the product must test the products suitability for the intended application and purpose. Consult the current technical data sheet. Except as expressly stated in writing Sika's warranty is governed exclusively by our current sales conditions. In particular, Sika does not warrant the correct application of its products.

### PREPARATION | SURFACE 1: ABS Plastic



The ABS plastic flashing surfaces must be sound, clean, dry and free from any loosely adhering particles or other surface contaminants such as oil, grease, fats, chemicals, paint, curing membranes, etc.



Apply a thin but covering coat of **Sika Primer-3N** using a clean brush to the intended bond line



Drying time: minimum 30 mins, maximum 8 hours.

### PREPARATION | SURFACE 2: POWDER COATED ALUMINIUM FLASHINGS



Machine abrade or lightly abrade bond face with polyester scouring pad to produce a clean matt finish. Remove dust with a clean rag or oil-free compressed-air jet.



Using a clean lint free rag wipe substrate with **Sika Activator-205**, Immediately wipe off with a separate clean, lint-free rag. Change rag frequently!



Drying time: minimum 10 minutes, maximum 2 hours.



Position the powder coated aluminium flashings to be bonded and mark the bond area with a marker pen.



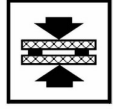
## APPLICATION



Apply a triangular bead of **Sikaflex-11 FC** (width 8mm, height 10mm).



Assemble components within 10 minutes of applying adhesive.



Apply pressure with clamps or other fastening aids to compress adhesive to form a 3mm thick by 20mm wide bond line.



Clamps and other fastening aids can be removed after 48 hours.



Traces of uncured Sika adhesives or sealants may be removed with **Sika Remover-208**. On no account should other cleaning agents or Sika Activator-205 be used for this purpose.

Note: This outline procedure details the key components of the work required. For specific details regarding surface preparation, mixing of the products and application, refer to the product data sheet.